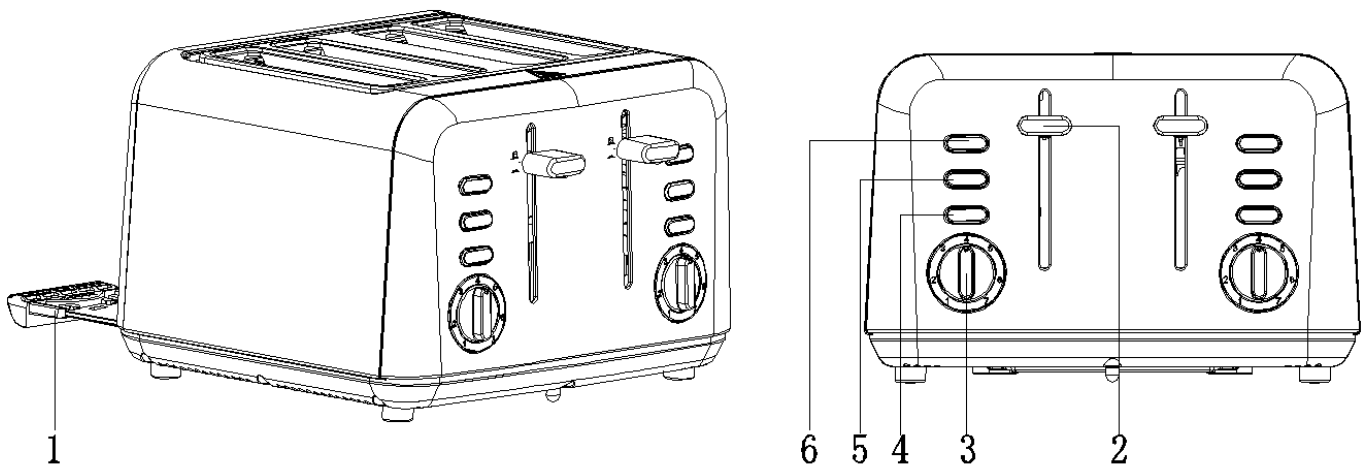




Stainless Steel Toaster 4 Slice

Product Code: 746093

## INSTRUCTION MANUAL



1. Crumb tray
3. Browning control
5. Reheat

2. Loading Handle
4. Defrost
6. Cancel

**NO TOASTER SHOULD BE LEFT UNATTENDED WHEN IN USE**

The temperature of accessible surfaces may be high when the toaster is operating

### Electrical Safety

1. If the supply cord is damaged, it must be replaced by the manufacturer or its service or a similarly qualified person in order to

avoid a hazard.

2. The appliances are not intended to be operated by means of an external timer or separate remote-control system.
3. Wait for this toaster to cool before moving it. Carry this toaster only by the outer
4. Close supervision is necessary when any appliance is used by or near children.
5. Never lift the toaster by placing your fingers inside or near the bread slot.
6. Always ensure that the toaster has completely cooled down before storing.
7. Flammable material such as paper, curtains, etc. should not be near the sides or top of the toaster when it is being used. The toaster should not be used under a cupboard or close to a wall as scorching of the wall or cupboard may result.
8. NEVER attempt to remove bread which has jammed in the slots without first unplugging the toaster from the mains supply. Be careful not to damage the internal mechanism of heating elements when removing the bread.
9. It is important that crumbs are not allowed to build up inside the toaster. Crumbs can be removed by simply sliding open the crumb tray at the bottom of the toaster. You can then tip the crumbs out.  
CAUTION: always ensure the toaster is fully cooled and disconnected from the mains before carrying out this operation.

Never touch the internal parts of the toaster with a brush or any other implement.

10. Clean the outer surface with a soft damp cloth only after unplugging the toaster from the mains supply.
11. To prevent jamming do not use the toaster with torn slices and ensure that the size and thickness of the slice fits readily into the slot. Do not operate the toaster without bread.
12. An appliance dropped or damaged should not be used until examined by an authorized service center.
13. Do not permit the mains lead to touch hot objects.
14. This appliance is always for indoors used only.
15. Do not use harsh or abrasive cleaning agents .Outside surface may be wiped clean with a soft,damp cloth and dried thoroughly .If necessary,a mild dish-washing detergent may be applied to the cloth but directly to the toaster.
16. Do not immerse toaster in water or any other liquid.
17. This appliance can be used by children aged from 8 years and above and persons with reduced physical, sensory or mental capabilities or lack of experience and knowledge if they have been given supervision or instruction concerning use of the appliance in a safe way and understand the hazards involved. Children shall not play with the appliance. Cleaning and user maintenance shall not be made by children unless they are older than 8 and supervised

18.Keep the appliance and its cord out of reach of children less than 8 years.

## TOASTER OPERATION

1. Operate the toaster twice on a light setting with no bread in it to disperse the initial burning elements smell.
2. Place two slices of bread in the bread slots, and press the handle right down until it latches. The bread will be lowered into the toaster and toasting will begin  
PLEASE NOTE: The handle will not latch if the unit is not connected to the mains
3. WARNING. Bread may burn. This toaster should not be used near or below curtains and other combustible materials. This toaster must be watched.
4. If the toast starts to smoke before it has popped up, toasting can be stopped by pressing the Cancel button.
5. If you should find that the toast is not dark enough you may wish to toast the bread again. Turn the browning control down and keep a careful eye on the toaster to ensure that the toast does not burn. Remember to increase the browning control setting for subsequent operations. If the toast is too dark, reduce the browning control before toasting the next slice.

PLEASE NOTE: Remember that dry or thin slices will toast quicker than moist or thick slice, so use a lower browning control setting. When toasting two slices at the same time try to use the same size and consistency of bread to achieve equal browning.

6. When toasting has finished the handle will rapidly rise to the fully raised position. The toasted bread can now be removed and the toaster is ready to recommence toasting.

DO NOT TOUCH THE TOASTER WALLS WHEN IN USE.

## CANCEL FUNCTION

If in the process of cooking, you want to stop baking, please press the cancel button, stop heating, bread will automatically come up to the initial state.

## REHEAT FUNCTION

If after toasting the bread gets cold, it can be reheated by setting the browning control to a low setting and pressing the loading handle down. When you have done that press the reheat button to automatically set the reheat time. Again, keep watching the bread for burning.

## DEFROST FUNCTION

When using bread straight from the freezer set the browning control to the required position and press the handle as normal, when this is done press the defrost button, the Power indicator and the defrost setting indicator will light up. Always keep an eye on the bread for any signs of burning.

## TOASTING NOTES

1. Toasting is a combination of cooking and drying the bread.
2. Moisture levels differ from one bread to another which can result in varying toasting times.
3. For slightly dry bread, use a lower setting than normal.
4. For fresh bread or whole wheat, use a higher setting than normal.
5. Breads with very uneven surfaces will require a higher setting.
6. Thickly cut pieces of bread (including crumpets) will take longer to toast, sometimes significantly longer, since more moisture must be evaporated from the bread before toasting can occur. Very thick pieces may require two cycles.
7. When toasting raisin or other fruit breads, remove any loose raisins from the surface of the bread before placing into the toaster. This will help prevent pieces from falling into the toaster or sticking on the guard wire in the slot.
8. Before toasting crumpets, slice each crumpet into two equal halves. The toaster is designed to heat the whole toasting chamber for two slices. By lowering the heat for a single slice you won't over toast.

## CAUTION:

1. Never force foods into toasting slot. Foods should fit freely between the guard wires.
2. Do not toast buttered breads.
3. Uneven toasting is usually due to bread slices of uneven thickness.

Do not dispose of electrical appliances as unsorted municipal waste. Contact your local government for information regarding the collection systems available. If electrical appliances are disposed of in landfills or dumps, hazardous substances can leak into the groundwater and get into the food chain, damaging your health and well-being.

When replacing old appliances with new ones, the retailer is legally obligated to take back your old appliance for disposal at least for free of charge.



## SAFETY PRECAUTION

Do not allow this unit to be exposed to rain or moisture.

Mains supply: 220-240V ~ 50-60Hz - AC only.

Imported by R Weatherdon & Co Pty Ltd  
Sydney - Australia  
[www.weatherdon.com.au](http://www.weatherdon.com.au)

Backed by Nero's 12 month replacement guarantee

Made in China