



Service & Help

For service and help contact Pacvac on 08 9479 1444
or visit our website at www.pacvac.com for a list of your nearest
Gold Level Retailers and Service Centres.

Revised: November 2012



Superpro 700 series

Commercial Back Pack
Vacuum Cleaners

Support: 08 9479 1444
www.pacvac.com

Read the instruction manual before using the machine.
Retain for future reference.

Original
Instructions



Product & Training Manual



PACVAC PTY LTD
 ABN: 60 709 396 593
 182 Daly Street
 BELMONT WA 6104
 Phone: +61 (0)8 9479 1444
 Fax: +61 (0)8 9478 5444
 E-mail: sales@pacvac.com
 Web: www.pacvac.com

**This manual applies to the Superpro 700 Series:
 Superpro 700, Duo 700, Micron 700, Trans 700 and Wispa 700.**

Contents

Warranty	Page 1
General Safety Instructions	Page 2
Product Specific Safety Instructions	Page 2
Symbol Definitions	Page 3
Patents	Page 3
Safety and Maintenance Checks	Page 4
Productivity Booster Kit	Page 5
Pacvac Gold Level Service	Page 5
Wear Right	Page 6
Work Right	Page 7
Operate Right	Page 8
Troubleshooting Guide	Page 9
Service Requirements	Page 9
Superpro 700 Parts Profile	Page 10
Superpro 700 Specifications	Page 11
Superpro duo 700 Parts Profile	Page 12
Superpro duo 700 Specifications	Page 13
Superpro micron 700 Parts Profile	Page 14
Superpro micron 700 Specifications	Page 15
Superpro trans 700 Parts Profile	Page 16
Superpro trans 700 Specifications	Page 17
Superpro wispa 700 Parts Profile	Page 18
Superpro wispa 700 Specifications	Page 19
Superpro 700 Series Harness, Accessories Parts Profile	Page 20
Optional Extras	Page 21
International Authorised Distributors	Page 22
Notes	Page 23

Warranty

Your Pacvac Pty Ltd (Pacvac) product has been manufactured to meet our highest quality standards. We urge you to take good care of your product and be sure to follow instructions carefully. This will provide you with the best possible performance and lifespan of the product.

The inclusion of the following paragraph is a requirement by Australian Law. It explains that consumers have rights by law regardless of any warranties provided or not by a manufacturer or supplier.

"Our goods come with guarantees that cannot be excluded under the Australian Consumer Law. You are entitled to a replacement or refund for a major failure and for compensation for any other reasonably foreseeable loss or damage. You are also entitled to have the goods repaired or replaced if the goods fail to be of acceptable quality and the failure does not amount to a major failure."

In addition to guarantees under Australian Consumer Law, Pacvac warrants all machines and their components against faulty material and/or workmanship for a period of two years from the date of purchase by the consumer. The following explains conditions and what to do in the event of a claim:

- Pacvac will replace parts determined as faulty however this does not cover reasonable wear through normal use of any consumable parts, such as but not limited to, bags, filters, hoses, power cords, carbon brushes and floor tools etc.
- Warranty does not cover any machine or component that has been altered, abused, neglected, modified, used with non-genuine Pacvac components or has not been used and maintained as indicated in the Product and Training Manual.
- Warranty repairs can only be carried out by an authorised Pacvac Retailer or Service Agent. Visit our website or call on the number above for your nearest location.
- All reasonable expenses associated with returning goods for a warranty claim are the consumer's responsibility.
- Claims must be made within two years of the date of purchase and proof of purchase must be supplied with the claim.
- To make a claim under warranty, take the product with proof of purchase to the place of purchase. In the event the place of purchase does not satisfactorily rectify the matter, please contact Pacvac using the contact details above.

General Safety Instructions




- This Manual shall be considered an integral part of the machine and should be carefully looked after for subsequent reference.
- WARNING Read this instruction manual before using this machine and always follow the Safety and Maintenance instructions.
- WARNING Operators shall be adequately instructed on the use of this machine.
- WARNING This machine is not suitable for picking up hazardous dust (Contact Pacvac for specific equipment for this use).
- WARNING Do not allow the power cord to come into contact with rotating brushes of floor tools.
- WARNING Do not use this machine in wet conditions.
- CAUTION This machine is for indoor use only.
- CAUTION This machine shall be stored indoors only.
- Remove the machine from packaging and ensure it and all its accessories and attachments are present and in perfect condition. Contact the place of purchase immediately in the event of any discrepancies.
- The electrical specifications of this machine are noted on the data plate which is located near the power switch. Ensure the specifications correspond to those of the mains power supply in your area. If the machine is without a data plate, contact the place of purchase immediately.
- This machine is intended for commercial use, for example in hotels, schools, hospitals, factories, shops or offices.
- Do not restrict the vacuum cleaner's airflow. Maintain the vacuum cleaner regularly so that all filters and openings are free of dust, lint, hair build-up or anything else which may affect airflow. Refer to the maintenance instructions in the Product & Training Manual.
- If the machine has been dropped, damaged, left outdoors or has been exposed to liquids, return it to your local Authorised Pacvac Service Agent for a safety check.
- Do not use the machine to pick up flammable or combustible liquids, such as petrol etc. and do not use in areas where they may be present.
- Do not vacuum anything that is burning or smoking such as cigarettes or hot ashes.
- Do not vacuum up hard or sharp objects such as glass, nails, screws etc.
- Keep hair, loose clothing, fingers and all parts of the body away from moving parts and openings.
- Keep the machine and power cord away from heated surfaces.
- Do not unplug the machine while it is turned on. Turn the machine off, turn the power off at the power outlet then unplug by grasping the plug and pulling gently to unplug.

- Do not handle the machine, power cord or plug with wet hands.
- Unplug from power point when not in use, before servicing or before changing filters and attachments.
- Do not pull or carry the machine by the power cord.
- Do not close doors on the power cord and do not pull the cord around sharp edges or corners.
- Regularly check the power cord for damage, such as cuts, abrasions, exposed wiring or aging. If the power cord or plug is damaged, the complete power cord must be replaced by your local Authorised Pacvac Service Agent in order to avoid an electric shock. The power cord should only be replaced with a Pacvac Genuine Spare Part with the same specifications.
- Store in an appropriate place after use to prevent tripping accidents.
- This appliance is not intended for use by persons (including children) with reduced physical, sensory or mental capabilities, or lack of experience and knowledge, unless they have been given supervision or instruction concerning use of the machine by a person responsible for their safety. Children should be supervised to ensure that they do not play with this machine.
- Use only the manufacturer's recommended attachments and/or replacement parts.

Product Specific Safety Instructions

- WARNING This machine is intended for the vacuuming of dry dust and/or small debris off dry carpeted or hard floor surfaces in indoor areas only.
- WARNING Do not use the machine without the dust bag and filters in place.
- WARNING Do not place the Superpro duo 700 model on the ground while the machine is turned on. This can result in irreparable damage to the motor.
- WARNING Do not plug the Superpro trans 700 into a power supply other than 110-120V, 400Hz. An alternate power supply can cause irreparable damage to the motor and other electrical components.
- The following models have a "A"-weighted emission sound pressure level (measured at 1.5 meters) of:
 Superpro 700 - 66 ± 3dB(A)
 Superpro duo 700 - 74 ± 3dB(A)
 Superpro wispa 700 - 66 ± 3dB(A) normal mode/
 62 ± 3dB(A) wispa mode
 Superpro micron 700 - 65 ± 3dB(A)
 Superpro trans 700 - 63 ± 3dB(A).

- WARNING Only use the socket outlet on the machine for purposes specified within these instructions.
- This appliance may be fitted with a power socket outlet. A power socket outlet is designed for use with applicably approved electric powerhead attachments. Powerhead attachments use rotating brushes to agitate carpet fibres in order to dislodge dust and/or debris. Maximum wattage for such attachment shall not exceed 200 watts.
- Floor Tool and Attachment Use
 Part No. UA908W - Floor Tool is intended for vacuuming of dry dust and debris off floor surfaces.
 Part No. KC910 - Dusting Brush is intended for vacuuming of dry dust from blinds and other delicate surfaces.
 Part No. KC911 - Crevice Tool is intended for vacuuming of dry dust and debris from crevices.
 Part No. KC912 - Upholstery Tool is intended for vacuuming of dry dust from upholstered surfaces.

-  The compliance label indicates that the product complies with the applicable standard and establishes a traceable link between the equipment and the manufacturer, importer or their agent responsible for compliance and for placing it on the Australian market.
-  Operator's Manual; Operating Instructions
-  Attention!
- Transportation and Storage
 This appliance and attachments should be packed in double wall corrugated cardboard boxes with dimensions of approximately 33cm x 33cm x 54.5cm. Stack levels of boxes shall not exceed four units in a vertical position.

RETAIN THESE SAFETY INSTRUCTIONS FOR FURTHER USE.



Patents

The following patents apply.
 AU Registered Design 32691 1
 EP Registered Design 001617051-0001

Motor Thermostat

IMPORTANT: The motor is equipped with a thermostat. If for any reason, the vacuum cleaner should over-heat, the thermostat will automatically turn the unit off. Should this occur, turn off the switch and unplug the vacuum cleaner from the electrical outlet and conduct safety and maintenance checks. Allow the cleaner to cool for approximately 30 minutes. To re-start, plug into a power point and switch back on.

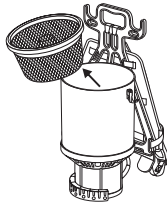
Symbol Definitions

-  **Meaning of crossed-out wheeled dustbin:**
 Do not dispose of electrical appliances as unsorted municipal waste, use separate collection facilities. Contact your local government for information regarding the collection systems available. If electrical appliances are disposed of in landfills or dumps, hazardous substances can leak into the groundwater and get into the food chain, damaging your health and wellbeing.
Europe Only - When replacing old appliances with new ones, the retailer is legally obligated to take back your old appliance for disposals at least free of charge.
-  The CE Mark certifies that a product has met EU consumer safety, health or environmental requirements.
-  Class II, Double Insulated Appliance.

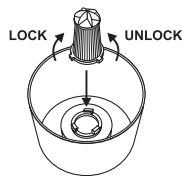
Safety and Maintenance Checks

DAILY

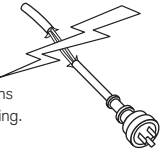
1. Remove, empty and clean Hypercone dust bag.



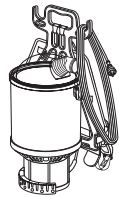
2. Remove and tap gently to clean Hypercone HEPA filter.



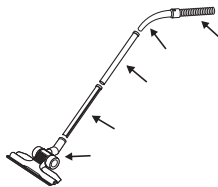
3. Check all power cords, for cuts, abrasions and exposed wiring.



4. Wind up power cord from machine end. Store power cord as shown.

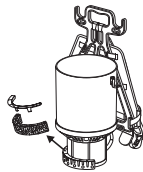


5. Check the floor tool, wand, bent hand piece and hose for any obstructions.



WEEKLY

Remove and clean external motor filter.



NOTE: Any other servicing should be performed by an authorised technician.

Productivity Booster Kit



Our Productivity Booster Kits are comprehensive training resources designed to help train professional cleaners to work smarter, cleaner and healthier - saving both time and money.

Each Pacvac product line has its own productivity kit which includes:



Product Training, Maintenance and Features DVD

Contains information on how to operate right and work right as well as troubleshooting and maintenance tips. Great for group training sessions or for the individual user.



Training Resources Pack

Used to compliment training sessions and includes proformas for attendance, assessment and evaluation with personalised certificates upon completion of the training session.



A3 Safety and Maintenance Poster

A cleaner's quick reference guide poster for safety, correct use, maintenance and troubleshooting.

Available FREE on request

Simply contact Pacvac or your supplier and request the Productivity Booster Kit for your machine. (Limits may apply).

Pacvac Gold Level Service

Pacvac is committed to providing not just great products but also service and support to match. This is why we have developed our Gold Level Retailer and Gold Level Service Agent program. When searching for our products, service or support we recommend our Gold Level partners.

Gold Level Retailers stock a comprehensive range of Pacvac products from equipment to genuine spare parts.

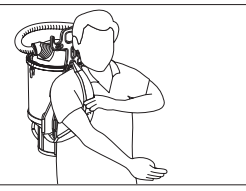
Gold Level Service Agents can provide servicing for your equipment in a timely manner and with genuine parts.

Visit www.pacvac.com for more information or give us a call, we are always happy to assist you!

Wear Right

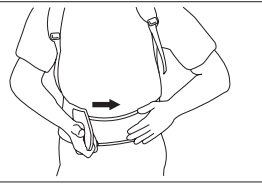
Step 1:

- Rotate the dome lid to suit left or right handed vacuuming.
- Loosen the shoulder straps.
- Adjust the length at top of shoulder strap (if required).
- Lift the back pack by one shoulder strap.
- Then slide your free arm into the other strap.



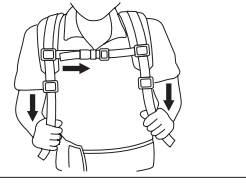
Step 2:

- Tighten the hipband so the machine rests comfortably on your hips.



Step 3:

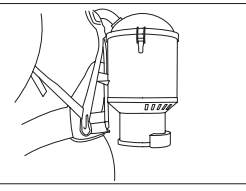
- Pull down on shoulder straps for a comfortable fit.
- Do up chest strap to secure back pack.



Step 4:

- Make sure the harness is resting on your hips.

IMPORTANT TIP:
If the back pack feels heavy or uncomfortable, it is likely you are not wearing it correctly. Contact Pacvac for further advice.



Work Right

LOOK AT THE LAYOUT (refer to the Fishbone Method below)

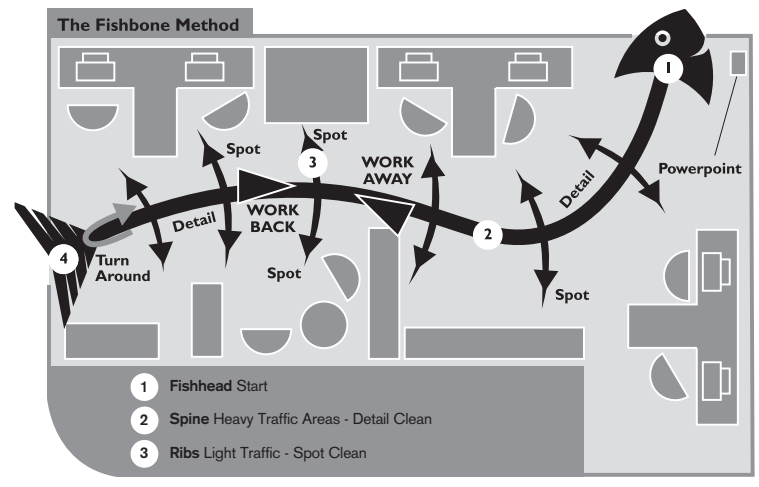
- Find the most easily located power point. This is your starting location at the fish's head. Your turnaround is the 'tail'.
- Check the room layout (position of desks, tables, chairs, fittings etc.)
- Check the condition of the floor - how dirty it is on a scale of 1 to 10.

PLAN THE PROCESS

- See in your mind the fishbone method over the entire area or room to be cleaned.
- Decide which areas are to be detail cleaned (the spine), or spot cleaned (the ribs).

CLEAN SMARTER

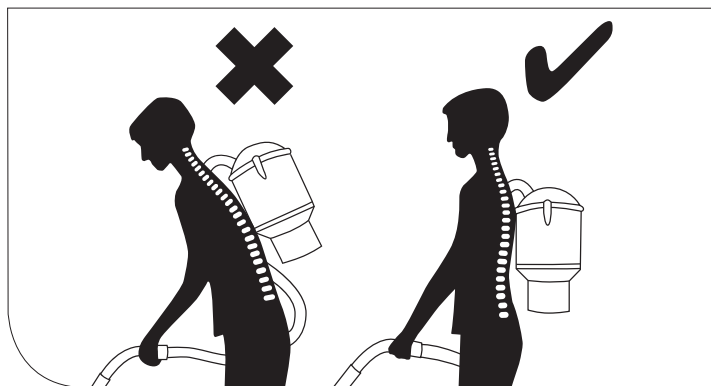
- Work away from the power point.
- Work one side of the fishbone towards tail. Then back the other side towards head.
- Work to the plan - long strokes for the detail clean area and short dabs for the spot cleans.



Operate Right

How to vacuum easier and faster with no back strain.

1. Stand upright, with the bent hand piece section parallel to the floor.
2. Hold the bent hand piece with one hand at a comfortable arm's length.
3. Move forward and away from the power point.
4. Use easy underarm swinging motion when detail cleaning and short dabs when spot cleaning, always standing upright.
5. Once the end of the power cord has been reached and work completed, return to the power point along the cord line and disconnect the power cord from the power point.
6. If work is not completed move to the next area, connect power cord to the nearest power point and repeat steps 1 through 6.
7. Remove back pack by sliding the one of the straps off the shoulder, while raising the other arm/shoulder to hold strap in place. Slowly lower the shoulder and lower the back pack to the floor, **do not drop**.
8. If work is completed disconnect power cord from power point then wind from the back pack towards the end of the power cord to reduce likelihood of cable twists. In the process check for nicks, cuts, fractures, and knots.



Troubleshooting

Caution: Always unplug the back pack before attempting to solve a problem or when servicing

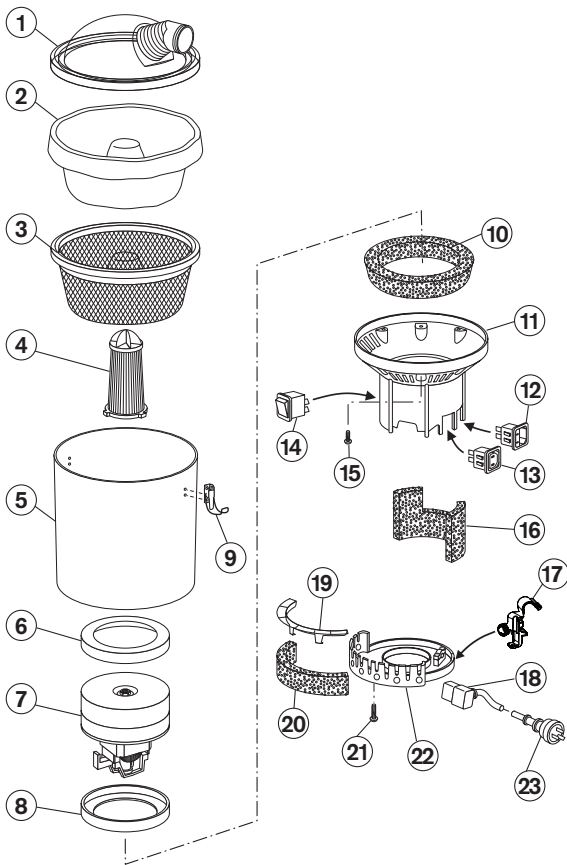
PROBLEM:	CAUSE:	SOLUTION:
Back Pack not working	Power cord not firmly plugged into power point, short lead, or machine.	Check all plugs and sockets are firmly plugged in.
	Back pack shuts off due to high motor temperature.	Turn main switch off and unplug the back pack. Conduct safety and maintenance checks found in the Product and Training Manual or as per labelling on the machine. After 30 minutes (60 minutes for wispa) the back pack should be ready for use. If not contact the number below for your nearest Authorised Pacvac Service Agent.
	Circuit breaker or RCD has tripped.	Reset circuit breaker or RCD.
Back Pack as no/poor suction	Hypercone dust bag full.	Remove, empty and clean Hypercone dust bag.
	Hypercone dust bag not installed correctly.	Remove and empty Hypercone dust bag making sure the rubber edging is correctly fitted around the canister.
	Hose not installed correctly.	Reconnect hose and ensure correctly sealed.
	Blockages.	Remove hose, wand and floor tools; remove any blockages.
	Filters blocked.	Clean Hypercone HEPA filter and external motor filter.

Service Requirements

Our products are designed and built to be functional and durable. As a result, if you maintain your vacuum cleaner as instructed, it is unlikely to require servicing. For information on use and maintenance please read the Product and Training Manual thoroughly. Should you require servicing we recommend our Pacvac Gold Level Service Centres. For your nearest centre visit www.pacvac.com, alternatively contact Pacvac on 08 9479 1444 or e-mail sales@pacvac.com.

Superpro 700 Parts Profile

Product Number: 200609-005A



Quote these part numbers when ordering spare parts

No.	Part Name	Part No.
1.	Dome lid	KC251
2.	Hypercone paper bag (Packet of 5)	AF101
3.	Hypercone dust bag	KC502HC
4.	Hypercone HEPA filter	KC270
5.	Main vacuum canister	KC252
6.	Motor gasket	KC253
7.	Motor 240V 1000W 2 stage flow through	UP118
8.	Motor gasket	KC253
9.	Toggle latch	KC131
10.	Intermediate noise insulation	PV254
11.	Intermediate housing IEC	KC256IEC
12.	Power inlet C14	KC257IEC3
13.	Power outlet C18	KC257
14.	Switch rocker 12A 250V 5E4	VS261
15.	Screw pan plastite 5x20	N/A
16.	Noise insulation motor	PV255
17.	Short lead holder	KC262H
18.	Short lead IEC type 420mm 10A 3c 1mm ² (AU, NZ)	KC109IEC
19.	Motor filter cage	KC264
20.	External motor filter	PV259
21.	Screw ST 6x25	N/A
22.	Bottom cap	KC258
23.	Extension cord 18m 10A 3c 1mm ² (AU, NZ)	KC11118
	Power Cord:	
	UK 18m 10A 3c 1mm ² C13 (UK, SG, IN, AE)	KC108UKIEC
	EU 18m 10A 3c 1mm ² C13 (EU)	KC108EUIEC

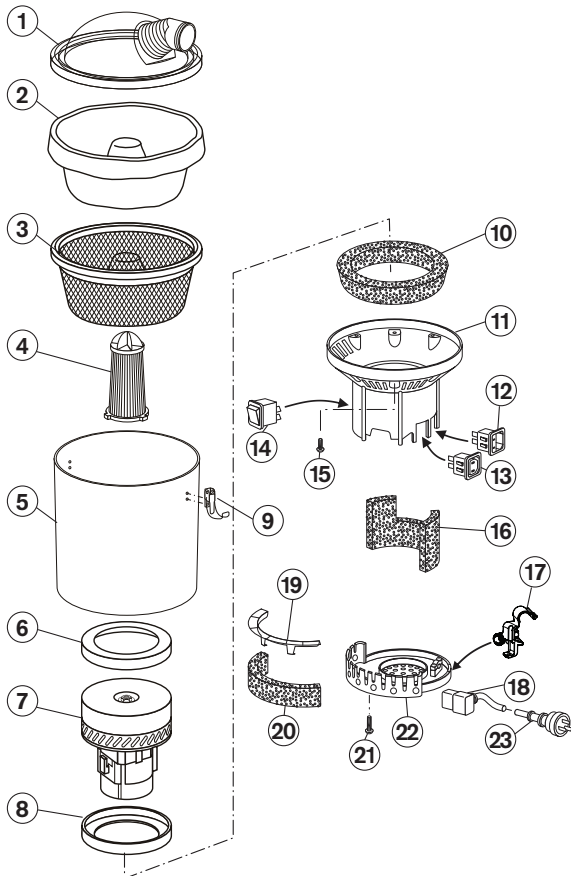
Specifications

Volts / Frequency: 220-240V-50Hz
 Motor: 240V 1000W 2 Stage Flow Through
 Noise Level: 66dB(A) ± 3dB(A) (at 1.5m)
 Filtration: 4 stage, 99.99% efficiency at 0.3 micron
 Airflow Volume: 38 litres per sec
 Tank: Capacity: 5 litres
 Weight: 5.0kgs (excluding power cord and hose)

Technical specifications, part numbers and parts profiles are subject to change without notice.

Superpro duo700 Parts Profile

Product Number: 200812-005A



Quote these part numbers when ordering spare parts

No.	Part Name	Part No.
1.	Dome lid	KC251
2.	Hypercone paper bag (Packet of 5)	AF101
3.	Hypercone dust bag	KC502HC
4.	Hypercone HEPA filter	KC270
5.	Main vacuum canister	KC252D
6.	Motor gasket	KC253
7.	Motor 240V 1000W 2 stage by-pass	HV1208
8.	Motor gasket	KC253
9.	Toggle latch	KC131
10.	Intermediate noise insulation	PV254
11.	Intermediate housing IEC	KC256IEC
12.	Power inlet C14	KC257IEC3
13.	Power outlet C18	KC257
14.	Switch rocker 12A 250V 5E4	VS261
15.	Screw pan plastite 5x20	N/A
16.	Noise insulation motor	PV255
17.	Short lead holder	KC262H
18.	Short lead IEC type 420mm 10A 3c 1mm ² (AU, NZ)	KC109IEC
19.	Motor filter cage	KC264
20.	External motor filter	PV259
21.	Screw ST 6x25	N/A
22.	Bottom cap duo	KC258D
23.	Extension cord 18m 10A 3c 1mm ² (AU, NZ)	KC11118
Power Cord:		
	UK 18m 10A 3c 1mm ² C13 (UK, SG, IN, AE)	KC108UKIEC
	EU 18m 10A 3c 1mm ² C13 (EU)	KC108EUIEC

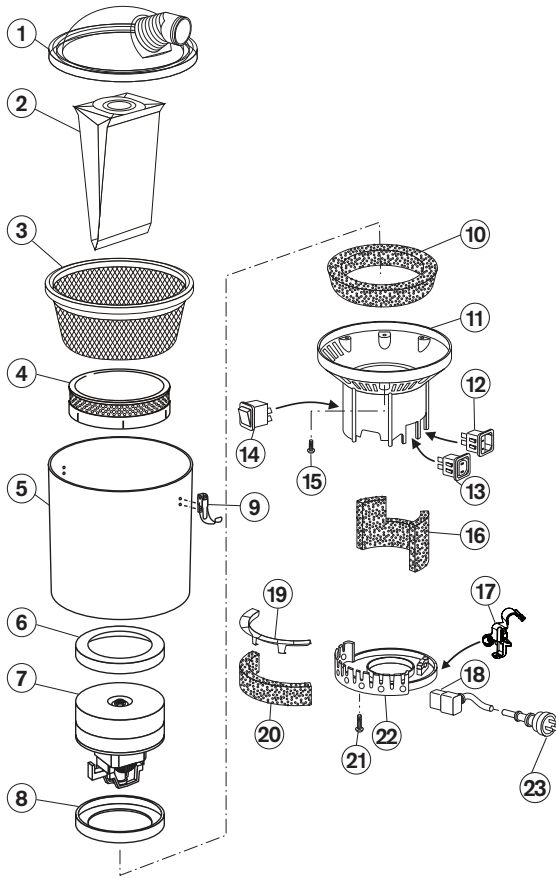
Specifications

Volts / Frequency: 220-240V-50Hz
 Motor: 250V 1000W 2 Stage By-pass
 Noise Level: 74dB(A) ± 3dB(A) (at 1.5m)
 Filtration: 4 stage, 99.99% efficiency at 0.3 micron
 Airflow Volume: 38 litres per sec
 Tank: Capacity: 5 litres
 Weight: 5.0kgs (excluding power cord and hose)

Technical specifications, part numbers and parts profiles are subject to change without notice.

Superpro micron700 Parts Profile

Product Number: 201108-005A



Quote these part numbers when ordering spare parts

No.	Part Name	Part No.
1.	Dome lid	KC251
2.	Micron paper bag (Packet of 5)	KC287
3.	Dust bag flat bottom	PV502
4.	Micron HEPA filter	KC288
5.	Main vacuum canister	KC252M
6.	Motor gasket	KC253
7.	Motor 240V 1000W 2 stage flow through	UP118
8.	Motor gasket	KC253
9.	Toggle latch	KC131
10.	Intermediate noise insulation	PV254
11.	Intermediate housing IEC	KC256IEC
12.	Power inlet C14	KC257IEC3
13.	Power outlet C18	KC257
14.	Switch rocker 12A 250V 5E4	VS261
15.	Screw pan plastite 5x20	N/A
16.	Noise insulation motor	PV255
17.	Short lead holder	KC262H
18.	Short lead IEC type 420mm 10A 3c 1mm ² (AU, NZ)	KC109IEC
19.	Motor filter cage	KC264
20.	External motor filter	PV259
21.	Screw ST 6x25	N/A
22.	Bottom cap	KC258
23.	Extension cord 18m 10A 3c 1mm ² (AU, NZ)	KC11118
	Power Cord:	
	UK 18m 10A 3c 1mm ² C13 (UK, SG, IN, AE)	KC108UKIEC
	EU 18m 10A 3c 1mm ² C13 (EU)	KC108EUIEC

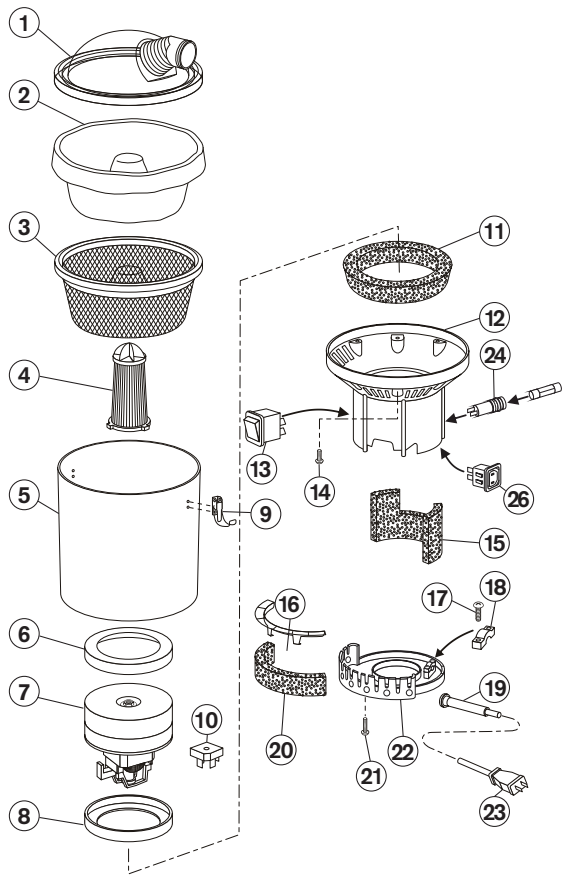
Specifications

Volts / Frequency: 220-240V-50Hz
 Motor: 240V 1000W 2 Stage Flow Through
 Noise Level: 65dB(A) ± 3dB(A) (at 1.5m)
 Filtration: 4 stage, 99.99% efficiency at 0.3 micron
 Airflow Volume: 38 litres per sec
 Tank: Capacity: 5 litres
 Weight: 5.0kgs (excluding power cord and hose)

Technical specifications, part numbers and parts profiles are subject to change without notice.

Superpro trans700 Parts Profile

Product Number: 200609-003A



Quote these part numbers when ordering spare parts

No.	Part Name	Part No.
1.	Dome lid	KC251
2.	Hypercone paper bag (Packet of 5)	AF101
3.	Hypercone dust bag	KC502HC
4.	Hypercone HEPA filter	KC270
5.	Main vacuum canister	KC252T
6.	Motor gasket	KC253
7.	Motor 120V 950W 2 stage flow through	UP243
8.	Trans motor sealing ring	KC253A
9.	Toggle latch	KC131
10.	Bridge rectifier 35A	UP246
11.	Intermediate noise insulation	PV254
12.	Intermediate housing	KC256
13.	Switch rocker 12A 250V 5E5	VS261
14.	Screw pan plastite 5x20	N/A
15.	Noise insulation motor	PV255
16.	Motor filter cage	KC264
17.	Screw pan plastite 3x12	PV299
18.	Cable clamp	KC262
19.	Cabled grommet	KC406
20.	External motor filter	PV259
21.	Screw 6x25	N/A
22.	Bottom cap	KC258
23.	Cable	UP109USA
24.	Fuse Holder	KC260
25.	Fuse 10A time lag	KC260F
26.	Power outlet C18	KC257

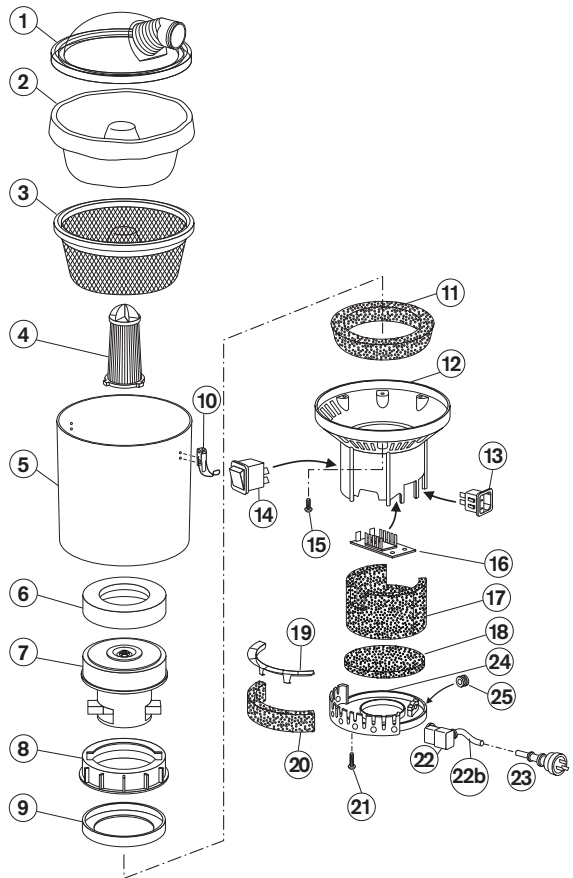
Specifications

Volts / Frequency: 120V-400Hz
 Motor: 120V 950W 2 Stage Flow Through
 Noise Level: 63dB(A) ± 3dB(A) (at 1.5m)
 Filtration: 4 stage, 99.99% efficiency at 0.3 micron
 Airflow Volume: 29 litres per sec
 Tank: Capacity: 5 litres
 Weight: 5.0kgs (excluding power cord and hose)

Technical specifications, part numbers and parts profiles are subject to change without notice.

Superpro wispa700 Parts Profile

Product Number: 200609-003A



Quote these part numbers when ordering spare parts

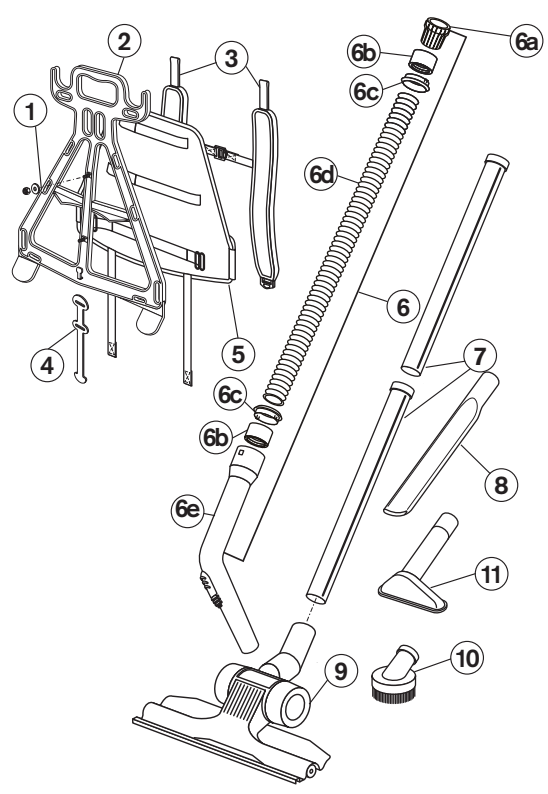
No.	Part Name	Part No.
1.	Dome lid	KC251
2.	Hypercone paper bag (Packet of 5)	AF101
3.	Hypercone dust bag	KC502HC
4.	Hypercone HEPA filter	KC270
5.	Main vacuum canister	KC252W
6.	Motor gasket foam	KC253B
7.	Motor 240V 1300W single stage flow through	G118
8.	Motor spacer	KC253S
9.	Motor gasket	KC253
10.	Toggle latch	KC131
11.	Intermediate noise insulation	P254
12.	Intermediate housing 1 hole	KC256HC
13.	Power inlet hot condition C16	KC257HC
14.	Switch rocker intermediate12A 250V 5E4	VS261W
15.	Screw pan plastite 5x20	N/A
16.	Two speed PCB board V2	G2SV2
17.	Noise insulation motor	P255
18.	Noise insulation bottom lid	P255B
19.	Motor filter cage	KC264
20.	External noise insulation	P259
21.	Screw ST 6x25	N/A
22.	Connector right angle HC C15	PV257RHC
22b.	Short lead rubber 420mm 10A 3c 1mm ² (AU, NZ)	KC109SL
23.	Extension cord 18m 10A 3c 1mm ² (AU, NZ)	KC11118
24.	Bottom cap	KC258
25.	Hole plug	KC262P

Specifications

Volts / Frequency: 220-240V-50Hz
 Motor: 240V 1300W Single Stage Flow Through
 Noise Level: Normal mode 66dB(A) ± 3dB(A) (at 1.5m) / Wispa mode 62dB(A) ± 3dB(A) (at 1.5m)
 Filtration: 4 stage, 99.99% efficiency at 0.3 micron
 Airflow Volume: 32 litres per sec
 Tank: Capacity: 5 litres
 Weight: 5.0kgs (excluding power cord and hose)

Technical specifications, part numbers and parts profiles are subject to change without notice.

Superpro 700 Series Harness and Accessories Parts Profile



Quote these part numbers when ordering spare parts

No.	Part Name	Part No.
1.	Bolt 5x20	N/A
	Nut 5mm nyloc	N/A
	Washer 3/16 x3/4	N/A
	Washer 3/16 x7/16	N/A
2.	Carrying frame	KC120
3.	Shoulder strap pair	KC121
4.	Cord restraint	KC268
5.	Back support padding	KC263
6.	Hose complete 32mm 1.2m	KC320
6a.	Machine end connector 32mm	KC200
6b.	Hose cuff hull 32mm	UA914
6c.	Hose clip ring 32mm	UA915
6d.	Hose 32mm 1.2m	KC350
6e.	Bent hand piece 32mm	KC330
7.	Two piece wand 32mm	KC9092
8.	Crevice tool 32mm	KC911
9.	Combination floor tool with wheels 32mm x 285mm	UA908W
10.	Dusting brush 32mm	KC910
11.	Upholstery tool 32mm	KC912

Technical specifications, part numbers and parts profiles are subject to change without notice.

Optional Extras

Part No. UA908 Combination floor tool	Part No. UA9272 Bottom plate (suits combination floor tool)	Part No. UA917H All purpose floor tool	Part No. KC928 Powerhead set complete	Part No. KC909 Wand telescopic
Part No. UP112PB RCD Piggy back	Part No. UA926 Turbo head	Part No. UA913M Bent hand piece metal	NOTE: Not suitable for commercial use	

International Authorised Distributors**INDIA**

Inventa Cleantec Pvt Ltd
C-31 Sector 63
NOIDA
Distt. Gautam Budh Nagar 201 301
INDIA
Ph: + 91 120 2401086
Fax: + 91 120 2401087
Web: www.inventacleantec.com

JAPAN

BI Corporation
6-62-12 Shibayama
Funabashi-shi, Chiba-Ken 274-0816
Japan
Ph: + 81 47 464 1462
Fax: + 81 47 464 1477
Web: www.bicorp.co.jp

NEW ZEALAND

Proquip NZ Ltd
47 Fitzherbert Street,
Petone
Wellington
New Zealand
Ph: + 64 4 566 7847
Fax: + 64 4 576 0430
Web: www.cleangear.co.nz

NORWAY

Viking Cimex AS
Prof. Birkelandsvei 24 A-1
1081 Oslo
Norway
Ph: 47 22 79 35 35
Fx: 47 22 79 35 40
Web: www.skovly.no

SINGAPORE

Klenco (Singapore) Pte Ltd
18 Gul Crescent,
Singapore 629527
Ph: + 65 6862 3388
Fax: + 65 6861 7575
Web: www.klenco-asia.com

SLOVENIA

Klimatehnik d.o.o.
Brciceva ulica 13
1231 Ljubljana
Slovenia
Ph: +386 4 180 5004
Fax: +386 1 781 6040
Web: www.klimatehnik.si

SOUTH AFRICA

Industro Clean
1490 Zeiss Road
Lazer Park
Honeydew
South Africa 2125
Ph: +27 11 801 4600
Fax: +27 11 794 3504
Web: www.industroclean.co.za

UNITED KINGDOM

TML International Ltd
Woodlands
Copmanthorpe Grange
Copmanthorpe
York YO23 3TN
United Kingdom
Ph: +44 (0) 1904 744790
Fax: +44 (0) 1904 744010
Web: www.tmlint.com

UNITED STATES OF AMERICA

TTI Floorcare North America
7005 Cochran Road
Glenwillow, OH 44139
United States of America
Ph: +1 440 996 2178
Fax: +1 440 996 2026
Web: http://ttifloorcare.com

Notes**AUSTRALIA:**

For your nearest Australian Retailer/Service Centre contact:

Pacvac Pty Ltd
182 Daly Street, BELMONT, 6104
WESTERN AUSTRALIA, AUSTRALIA
Ph: + 61 8 9479 1444
Fax: + 61 8 9478 5444
Email: sales@pacvac.com
Web: www.pacvac.com

Notes

Notes