



# *Glide 300 series*

Commercial Canister Vacuum Cleaners

Product & Training Manual

Support: +61 8 9479 1444  
[www.pacvac.com](http://www.pacvac.com)

CAUTION Read the instruction manual before using the machine. Retain for future reference.



Original Instructions





**This manual applies to the Glide 300 Series:  
Glide 300 and Glide wispa 300.**

## Contents

General Safety Instructions .....	Page 2
Product Specific Safety Instructions .....	Page 2
Symbol Definitions .....	Page 3
Operate Right .....	Page 4
Work Right .....	Page 5
Safety and Maintenance Checks .....	Page 6
Troubleshooting .....	Page 7
Service Requirements .....	Page 8
Warranty .....	Page 8
Servicing and Warranty Notes .....	Page 9
Glide 300 and Glide wispa 300 Parts Profile .....	Page 10
Glide 300 and Glide wispa 300 Specifications .....	Page 12
Notes .....	Page 13

## General Safety Instructions

1. This Manual shall be considered an integral part of the machine and should be carefully looked after for subsequent reference.
2. **WARNING** Read this instruction manual before using this machine and always follow the Safety and Maintenance instructions.
3. **WARNING** Operators shall be adequately instructed on the use of this machine.
4. **WARNING** This machine is not suitable for picking up hazardous dust (Contact Pacvac for specific equipment for this use).
5. **WARNING** Do not allow the power cord to come into contact with rotating brushes of floor tools.
6. **WARNING** Do not use this machine in wet conditions.
7. **CAUTION** This machine is for indoor use only.
8. **CAUTION** This machine shall be stored indoors only.
9. Remove the machine from packaging and ensure it and all its accessories and attachments are present and in perfect condition. Contact the place of purchase immediately in the event of any discrepancies.
10. The electrical specifications of this machine are noted on the data plate which is located near the power switch. Ensure the specifications correspond to those of the mains power supply in your area. If the machine is without a data plate, contact the place of purchase immediately.
11. This machine is intended for commercial use, for example in hotels, schools, hospitals, factories, shops or offices.
12. Do not restrict the vacuum cleaner's airflow. Maintain the vacuum cleaner regularly so that all filters and openings are free of dust, lint, hair build-up or anything else which may affect airflow. Refer to the maintenance instructions in the Product and Training Manual.
13. If the machine has been dropped, damaged, left outdoors or has been exposed to liquids, return it to your local Authorised Pacvac Service and Warranty Agent for a safety check.
14. Do not use the machine to pick up flammable or combustible liquids, such as petrol etc. and do not use in areas where they may be present.
15. Do not vacuum anything that is burning or smoking such as cigarettes or hot ashes.
16. Do not vacuum up hard or sharp objects (glass, nails, screws etc).
17. Keep hair, loose clothing, fingers and all parts of the body away from moving parts and openings.
18. Keep the machine and power cord away from heated surfaces.
19. Do not unplug the machine while it is turned on. Turn the machine OFF, turn the power off at the power outlet then unplug by grasping the plug and pulling gently to unplug.
20. Do not handle the machine, power cord or plug with wet hands.
21. Unplug from power point when not in use, before servicing or before changing filters.
22. Do not pull or carry the machine by the power cord.
23. Do not close doors on the power cord and do not pull the cord around sharp edges or corners.
24. Regularly check the power cord for damage, such as cuts, abrasions, exposed wiring or aging. If the power cord or plug is damaged, the complete power cord must be replaced by your local Authorised Pacvac Service and Warranty Agent in order to avoid an electric shock. The power cord should only be replaced with a Pacvac Genuine Spare Part with the same specifications.
25. Store in an appropriate place after use to prevent tripping accidents.
26. This appliance is not intended for use by persons (including children) with reduced physical, sensory or mental capabilities, or lack of experience and knowledge, unless they have been given supervision or instruction concerning use of the machine by a person responsible for their safety. Children should be supervised to ensure that they do not play with this machine.
27. Use only the manufacturer's recommended attachments and/or replacement parts.

## Product Specific Safety Instructions

1. **WARNING** This machine is intended for the vacuuming of dry dust and/or small debris off dry carpeted or hard floor surfaces in indoor areas only.
2. **WARNING** Do not use the machine without the dust bag and filters in place.
3. **CAUTION** Take extra care if using this vacuum cleaner to vacuum stairs.
4. The following models have an 'A' weighted emission sound pressure level (measured at 1.5m) of:  
Glide 300 - 64 ± 3dB(A)  
Glide wispa 300 - 64 ± 3dB(A) in normal mode / 60 ± 3dB(A) in wispa mode.
5. Floor Tool and Attachment Use  
Part No. FLT001 - Floor Tool  
is intended for vacuuming of dry dust and debris off floor surfaces.  
Part No. ACC001 - Dusting Brush  
is intended for vacuuming of dry dust from blinds and other delicate surfaces.  
Part No. ACC002 - Crevice Tool  
is intended for vacuuming of dry dust from crevices.

Part No. ACC003 - Upholstery Tool is intended for vacuuming of dry dust from upholstered surfaces.

## Symbol Definitions



### Meaning of crossed-out wheeled dustbin:

Do not dispose of electrical appliances as unsorted municipal waste, use separate collection facilities. Contact your local government for information regarding the collection systems available. If electrical appliances are disposed of in landfills or dumps, hazardous substances can leak into the groundwater and get into the food chain, damaging your health and wellbeing.

**Europe Only - When replacing old appliances with new ones, the retailer is legally obligated to take back your old appliance for disposals at least free of charge.**



The CE Mark certifies that a product has met EU consumer safety, health or environmental requirements.



Class II, Double Insulated Appliance.



The Regulatory Compliance Mark (RCM) indicates a device's compliance with all applicable ACMA regulatory arrangements.



Operator's Manual; Operating Instructions



Attention!

7. Transportation and Storage  
This appliance and attachments should be packed in double wall corrugated cardboard boxes with dimensions of 43.5cm x 39.5cm x 48cm.

**RETAIN THESE SAFETY INSTRUCTIONS FOR FURTHER USE.**

## Motor Thermostat

**IMPORTANT:** The motor is equipped with a thermostat. If for any reason, the vacuum cleaner should over-heat, the thermostat will automatically turn the unit off. Should this occur, turn off the switch and unplug the vacuum cleaner from the electrical outlet and conduct safety and maintenance checks. Allow the cleaner to cool for approximately 30 minutes. To re-start, plug into a power point and switch back on.

## Operate Right

### How to vacuum easier and faster with no back strain.

1. Stand upright, with the bent hand piece section parallel to the floor.
2. Hold the bent hand piece with one hand at a comfortable arm's length. Use your free hand to hold the hose to help guide the vacuum as you work.
3. Move forward and away from the power point.
4. Use easy underarm swinging motion when detail cleaning and short dabs when spot cleaning, always standing upright.
5. Once the end of the power cord has been reached and work completed, return to the power point along the cord line and disconnect the power cord from the power point.
6. If work is not completed move to the next area, connect power cord to the nearest power point and repeat steps 1 through 6.
7. If work is completed disconnect power cord from power point then wind from the canister towards the end of the power cord to reduce likelihood of cable twists. In the process check for nicks, cuts, fractures, and knots.

## Work Right

### LOOK AT THE LAYOUT (refer to the Fishbone Method below)

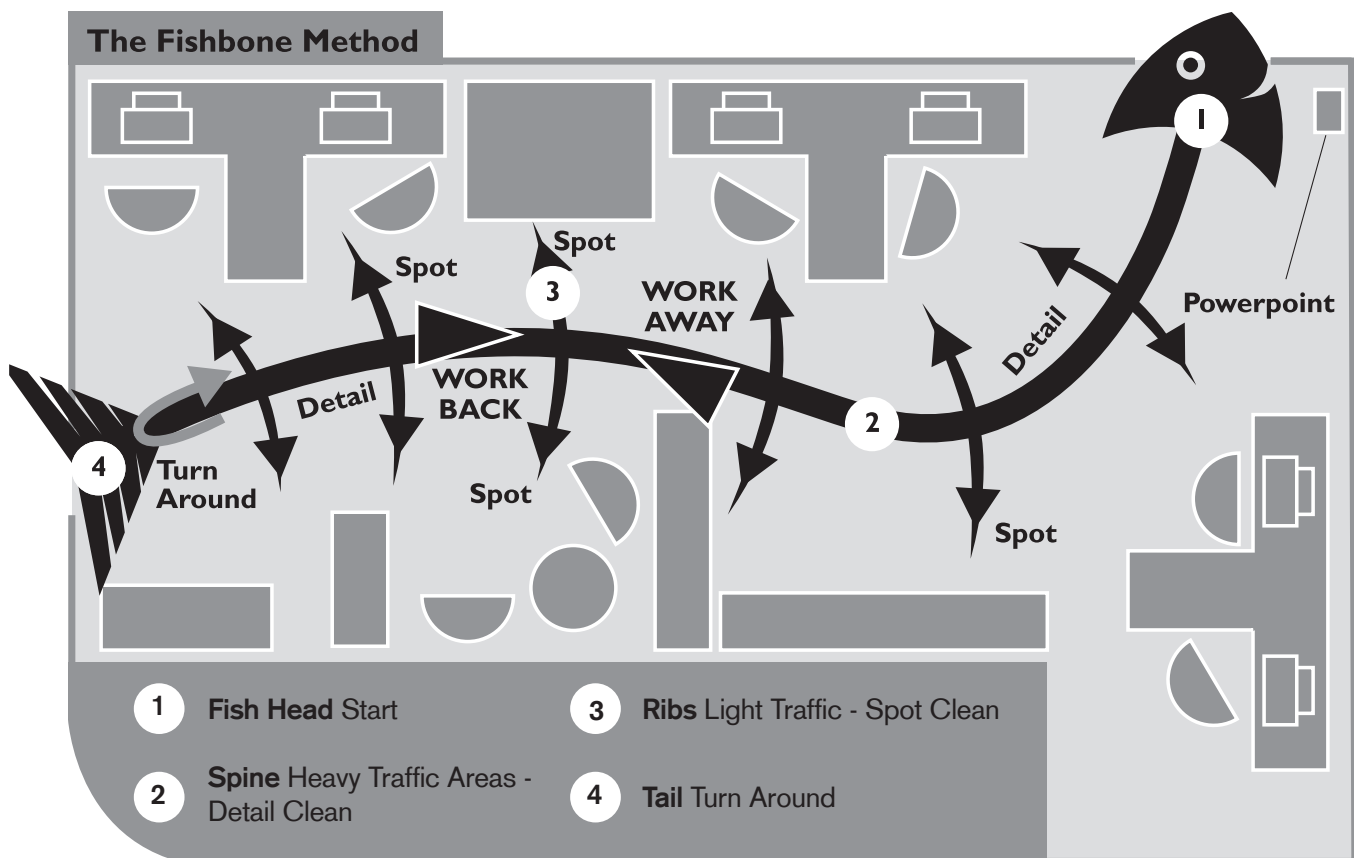
- Check the room layout (position of desks, tables, chairs, fittings etc.)
- Check the condition of the floor - how dirty it is on a scale of 1 to 10.

### PLAN THE PROCESS

- See in your mind the fishbone method over the entire area or room to be cleaned.
- Decide which areas are to be detail cleaned (the spine), or spot cleaned (the ribs).

### CLEAN SMARTER

- Work one side of the fishbone towards tail. Then back the other side towards head.
- Work to the plan - long strokes for the detail clean area and short dabs for the spot cleans.



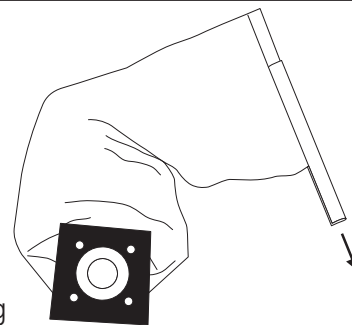
## Safety and Maintenance Checks

### DAILY

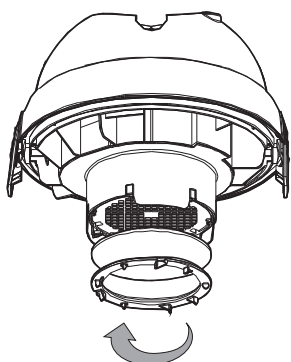
1. Remove and clean or replace Glide dust bag.



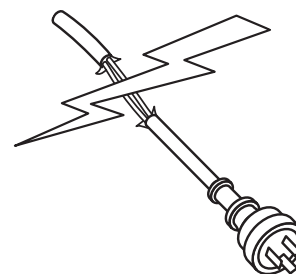
2. Slide off sealing clip to open and empty Glide dust bag. Replace sealing clip before reinstalling Glide dust bag.



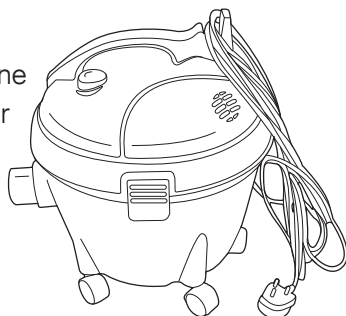
3. Turn cuff or HEPA filter in a clockwise direction to unlock. Remove and tap gently to clean motor filter or HEPA filter.



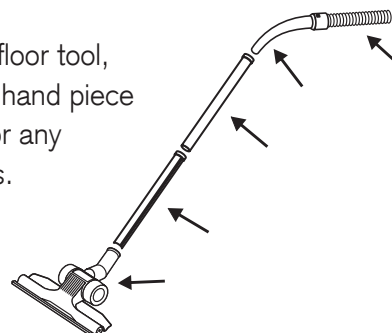
4. Check all power cords, for cuts, abrasions and exposed wiring.



5. Wind up power cord from machine end. Store power cord as shown.

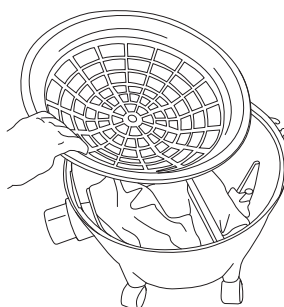


6. Check the floor tool, wand, bent hand piece and hose for any obstructions.



### WEEKLY

Remove SMS filter and clean with dusting brush supplied.



**NOTE:** Any other servicing should be performed by an authorised technician.



## Troubleshooting

**Caution: Always unplug the vacuum cleaner before attempting to solve a problem or when servicing.**

<b>PROBLEM:</b>	<b>CAUSE:</b>	<b>SOLUTION:</b>
Vacuum cleaner not working	Power cord not firmly plugged into power point.	Plug power cord into power point firmly.
	Vacuum cleaner not turned on.	Press on/off button.
	Thermal protector shuts off vacuum cleaner due to high motor temperature.	Turn main switch off and unplug the vacuum cleaner. Conduct safety and maintenance checks found in the Product and Training Manual. After 30 minutes the vacuum cleaner should be ready for use. If not contact Pacvac for your nearest Authorised Pacvac Service and Warranty Agent.
	Circuit breaker or RCD has tripped.	Check the machine is in good working order. If OK, reset circuit breaker or RCD. If circuit breaker or RCD trips again contact your nearest Authorised Pacvac Service and Warranty Agent.



## Service Requirements

Our products are designed and built to be functional and durable. For information on use and maintenance please read the Product & Training Manual thoroughly.

Should you require servicing contact your nearest Authorised Pacvac Service and Warranty.



[www.pacvac.com](http://www.pacvac.com)



+61 8 9479 1444



[support@pacvac.com](mailto:support@pacvac.com)

## Servicing Notes

## Warranty

Your Pacvac Pty Ltd (Pacvac) product has been manufactured to meet our highest quality standards. We urge you to take good care of your product and be sure to follow instructions carefully. This will provide you with the best possible performance and lifespan of the product.

The inclusion of the following paragraph is a requirement by Australian Law. It explains that consumers have rights by law regardless of any warranties provided or not by a manufacturer or supplier.

“Our goods come with guarantees that cannot be excluded under the Australian Consumer Law. You are entitled to a replacement or refund for a major failure and for compensation for any other reasonably foreseeable loss or damage. You are also entitled to have the goods repaired or replaced if the goods fail to be of acceptable quality and the failure does not amount to a major failure.”

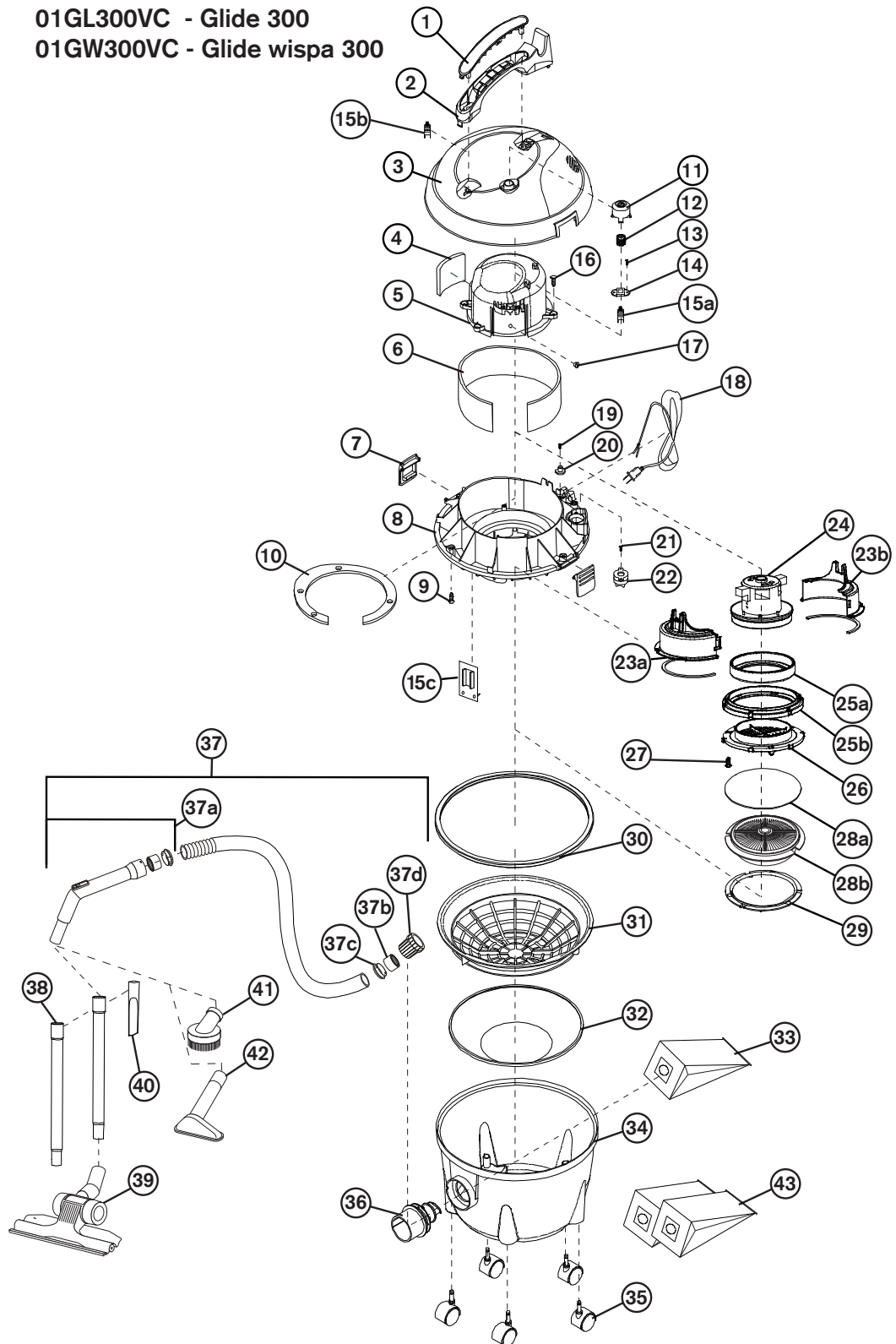
In addition to guarantees under Australian Consumer Law, Pacvac warrants all machines and their components against faulty material and/or workmanship for a period of two years from the date of purchase by the consumer. The following explains conditions and what to do in the event of a claim:

- Pacvac will replace parts determined as faulty however this does not cover reasonable wear through normal use of any consumable parts, such as but not limited to, bags, filters, hoses, power cords, carbon brushes and floor tools etc.
- Warranty does not cover any machine or component that has been altered, abused, neglected, modified, used with non-genuine Pacvac components or has not been used and maintained as indicated in the Product and Training Manual.
- Warranty repairs can only be carried out by an Authorised Pacvac Distributor or Service and Warranty Agent. Visit our website or call on the number above for your nearest location.
- All reasonable expenses associated with returning goods for a warranty claim are the consumer's responsibility.
- Claims must be made within two years of the date of purchase and proof of purchase must be supplied with the claim.
- To make a claim under warranty, take the product with proof of purchase to the place of purchase. In the event the place of purchase does not satisfactorily rectify the matter, please contact Pacvac.

## Warranty Notes

# Glide 300 Parts Profile

Model Number: 01GL300VC - Glide 300  
 01GW300VC - Glide wispa 300



Quote these part numbers when ordering spare parts

No.	Part Name	Part No.
1.	Cover - Handle - Plastic - 220mm	COV001
2.	Handle - Plastic - Black - 280mm	HAN002
3.	Cover - Top - Plastic - 380mm	COV002
4.	Filter - Exhaust - Flat - Foam	FIL006
5.	Holder - Motor - Plastic - Black - 185mm	HOL003
6.	Insulation - Motor - Synthetic - 630mm	INS002
7.	Latch - Plastic - Black - 50mm	LAT002
8.	Holder - Motor - Plastic - Black - 350mm	HOL002
9.	Screw - Aluminium - 5mm x 22mm	SCR001
10.	Insulation - Motor - Synthetic - 150mm	INS003
11.	Button - On-Off - Plastic - 40mm	BUT002
12.	Spring - Steel - 15mm x 40mm	SPR001
13.	Screw - Aluminium - Black - 3mm x 9mm	SCR002
14.	Bracket - Switch - Plastic - Black - 40mm	BRA007
15a.	Switch - On-Off - Non-Illuminated - Black	SWI003
15b.	Switch - Hi-Low - Non-Illuminated - Black	SWI004
	Note: Glide wispa 300 model only.	
15c.	PCB - Two Speed - AC	PCB002
	Note: Glide wispa 300 model only.	
16.	Screw - Aluminium - 5mm x 15mm	SCR003
17.	Grommet - 2 Wire - Rubber - 10mm	GRO002
18.	Power Cord - Hard Wired - 18m - 2C - Plug Type I	PWC001
19.	Screw - Aluminium - Black - 3mm x 10mm	SCR004
20.	Clamp - Cable - Plastic - Black - 20mm	CLA003
21.	Screw - Aluminium - Black - 1mm x 7mm	SCR005
22.	Valve - Spring Loaded - Plastic - 32mm	VAL002
23a.	Bracket - Motor - Plastic - Black - Right Hand	BRA006
23b.	Bracket - Motor - Plastic - Black - Left Hand	BRA005
24.	Motor - Single Stage - Flow Through - 240V - 1300W	MOT005
25a.	Gasket - Motor - Rubber - 130mm	GAS005
25b.	Gasket - Motor - Rubber - 180mm	GAS006
26.	Cage - Motor Filter - Plastic - Black	CAG007
27.	Screw - Aluminium - Black - 3mm x 15mm	SCR006
28a.	Filter - Motor - Flat - Foam	FIL007
28b.	Filter - Pre-Motor - Cartridge - HEPA	FIL005
	Supplied in Glide wispa 300	
	Optional extra for Glide 300	
29.	Cage - Motor Filter - Plastic - Black	CAG006
30.	Seal - Filter - Rubber - 350mm	SEA001
31.	Retainer - Filter - Plastic - Black - 340mm	RET001

Technical specifications, part numbers and parts profiles are subject to change without notice.

Quote these part numbers when ordering spare parts (continued)

<b>No.</b>	<b>Part Name</b>	<b>Part No.</b>
32.	Filter - Pre-Motor - Cover - Synthetic	FIL008
33.	Dust Bag - Reusable - SMS - Sealed - Pkt 1	DUB009
34.	Canister - Glide 300	CAN008
35.	Wheel - Castor - Black Plastic - 45mm	WHL004
36.	Hose Inlet - Plastic - Black - 32mm	HOI001
37.	Hose Assembly - 32mm - 2m - Screw Fit	HOA003
37a.	Hand Piece - 32mm - Plastic	HAP001
37b.	Cuff - Hose - Plastic - Black - 32mm	CUF002
37c.	Clip - Hose - Plastic - Black - 32mm	CLI004
37d.	Connector - Hose - Plastic - Black - 32mm	CON001
38.	Wand - Two Piece - Chrome - 32mm	WND002
39.	Floor Tool - All Purpose - 32mm - 285mm	FLT001
40.	Accessory - Crevice Tool - 32mm	ACC002
41.	Accessory - Dusting Brush - 32mm	ACC001
42.	Accessory - Upholstery Tool - 32mm	ACC003
43.	Dust Bag - Disposable - Paper - Sealed - Pkt 5	DUB008

### **Glide 300 Specifications**

Volts / Frequency: 220-240V~50Hz  
Motor: 240V 1300W Single Stage Flow Through  
Noise Level: 64dB(A)  $\pm$ 3dB(A) (at 1.5m)  
Filtration: 3 stage  
Volumetric Airflow (per second): 38 litres  
Capacity: 15 litres  
Weight: 5.0kg (ex. power cord assembly and hose)

### **Glide wispa 300 Specifications**

Volts / Frequency: 220-240V~50Hz  
Motor: 240V 1300W Single Stage Flow Through  
Noise Level: Normal mode: 64dB(A)  $\pm$ 3dB(A) (at 1.5m); Wispa mode: 60dB(A)  $\pm$ 3dB(A) (at 1.5m)  
Filtration: 3 stage, high grade HEPA rated filter  
Volumetric Airflow (per second): 38 litres; wispa mode 32 litres  
Capacity: 15 litres  
Weight: 5.1kg (ex. power cord assembly and hose)



**Notes**



## Notes

**Notes**



## Service & Help

For service and help contact Pacvac on +61 8 9479 1444 or email [support@pacvac.com](mailto:support@pacvac.com)

Alternatively visit our website at [www.pacvac.com](http://www.pacvac.com) for a list of your nearest Distributor and Service and Warranty Agent.

Revised: September 2017  
300GS-M-170928

PACVAC PTY LTD  
ABN: 60 709 396 593  
7 Mackay Street, Kewdale, WA 6105  
AUSTRALIA