

GD 5, GD 10, GD 5 Battery

Model:
GD 10 BACK
GD 5 BACK



Part List US-English

05-10-2012

Nilfisk

www.nilfisk.com

Table of Contents

GD 5, GD 10, GD 5 Battery

Motor and motor parts	3
Electrical parts	5
Container parts	7
Straps parts	9
Filters	11
Nozzles 32 mm	13
Tubes, hose 32 mm	15
Overview GD 5 Battery	17
Container parts GD 5 Battery	19
Motor parts GD 5 Battery	21
Nozzles 32mm GD 5 Battery	23
Tube and hose 32mm GD 5 Battery	25
RECOMMENDED SPARE PARTS	27

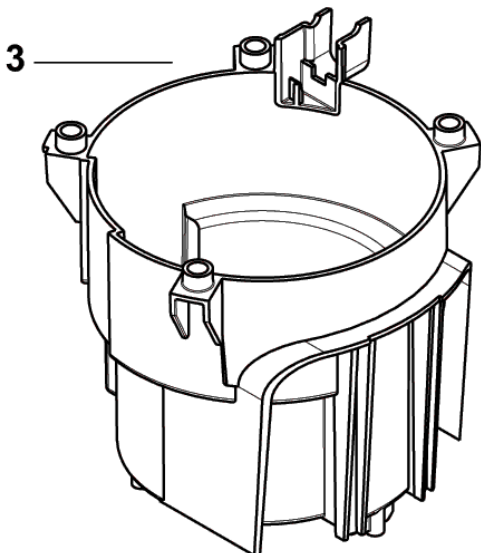
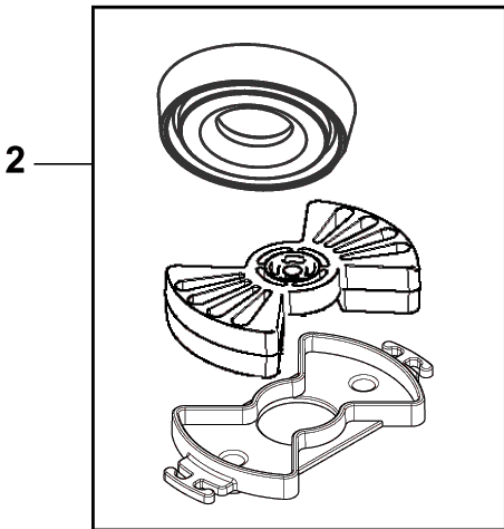
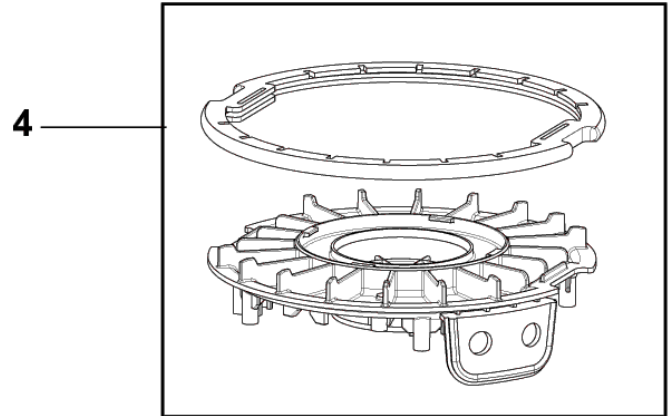
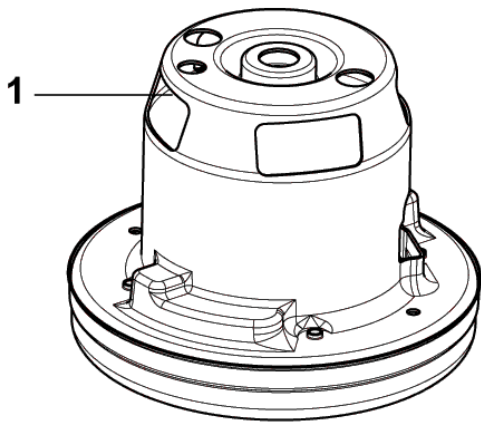
Motor and motor parts

GD 5, GD 10, GD 5 Battery

05-10-2012

Part List ID
B10633

3



Motor and motor parts

GD 5, GD 10, GD 5 Battery

05-10-2012

Part List ID

B10633

4

Pos	Part no.	Qty	Description
0	147 1291 000	1	OUTER BOX
0	147 1496 000	1	SPACER
1	107407330	1	FAN UNIT 110V 50HZ FOR GD5 FLY Only for GD 5 fly
1	147 1109 500	1	FAN UNIT 100-120V 1300W
1	147 1109 510	1	FAN UNIT 220-240V 1300W
2	147 1111 500	1	MOTOR SUSPENSION KIT
3	147 1088 500	1	MOTOR COVER
4	147 1086 500	1	CHASSIS DARK GREY

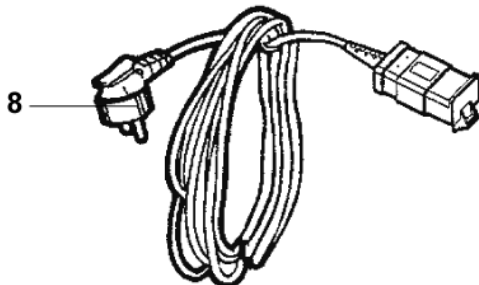
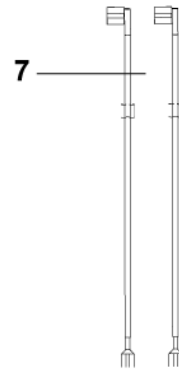
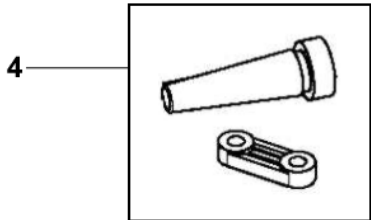
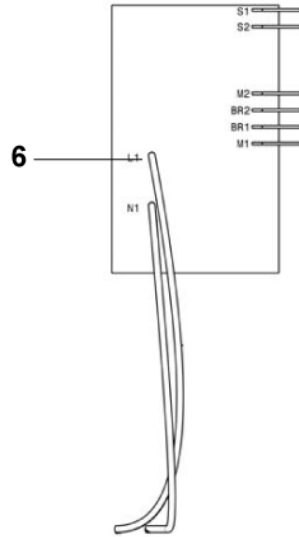
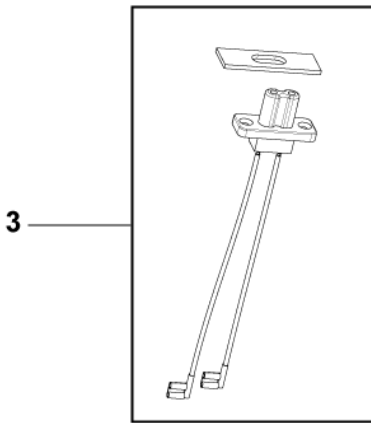
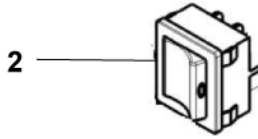
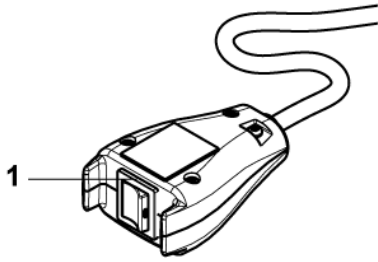
Electrical parts

GD 5, GD 10, GD 5 Battery

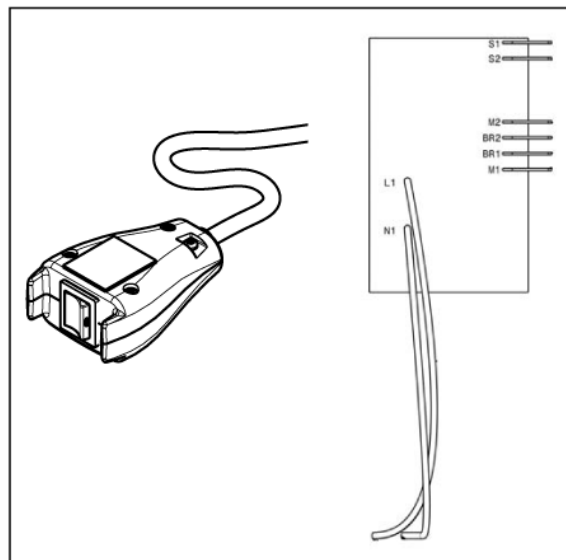
05-10-2012

Part List ID
B10635

5



10



Electrical parts

GD 5, GD 10, GD 5 Battery

05-10-2012

Part List ID
B10635

6

Pos	Part no.	Qty	Description
1	107402274	1	SWITCH COMPLETE
1	107404536	1	SWITCH COMPLETE US, CN
2	140 5496 510	1	SWITCH UL KIT
3	140 8497 530	1	CONNECTOR
4	140 7035 500	1	PROTECTION SLEEVE KIT
5	12003803	1	CORD SET AU/NZ CPL. L 15M
5	140 3608 070	1	CORD SET 20M US/CA for GD5 Fly
5	140 6702 500	1	CORD SET JP 15.5M
5	147 0504 510	1	CORD SET CN 15M
6	107402275	1	CIRQUIT BOARD 220-240V
6	107402276	1	CIRQUIT BOARD 100-120V
6	107407331	1	CIRQUIT BOARD FOR GD5 FLY for GD5 Fly
7	140 7040 510	1	INTERNAL WIRE KIT
8	22156201	1	EXTENSION CORD EU KIT
8	22156202	1	CORD CPL. UK VERSION
9	147 1346 500	1	ANTI STRAIN CLIP CPL.
10	107402257	1	PCB CORD AND SWITCH KIT 120V
10	107402258	1	PCB CORD AND SWITCH KIT 230V
10	107404537	1	PCB CORD AND SWITCH KIT 120V US, CN
5B	140 8057 500	1	CORD WITH MALE PLUG

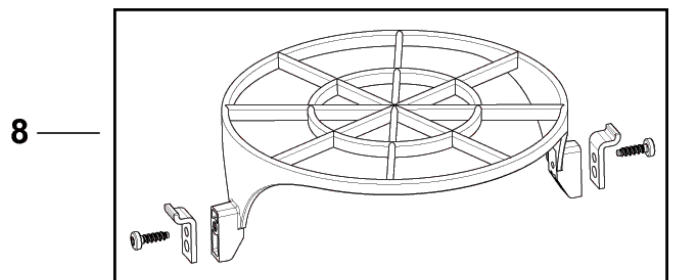
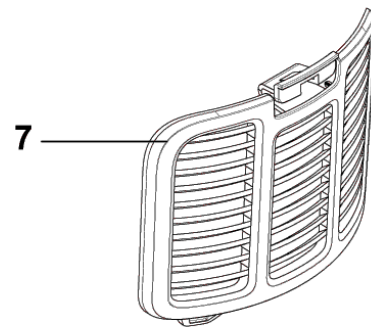
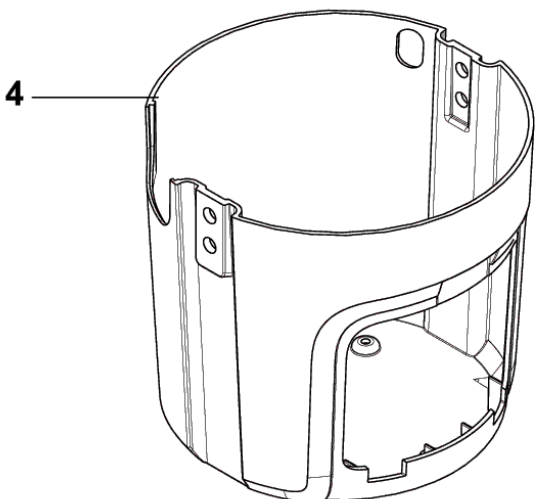
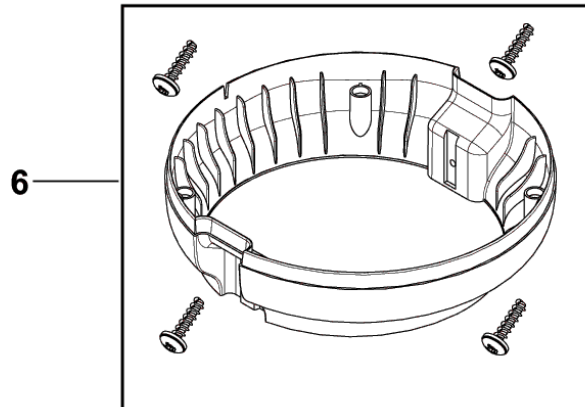
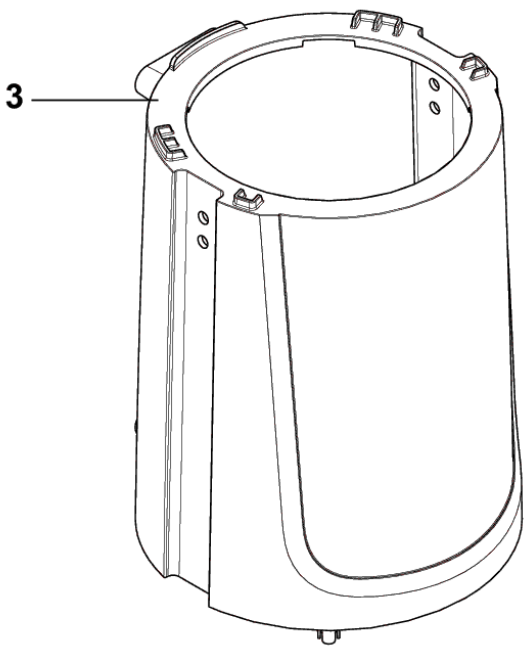
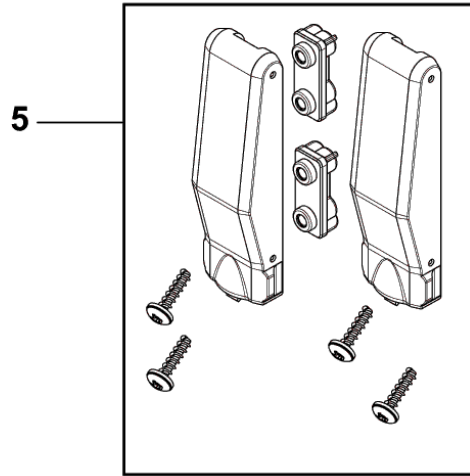
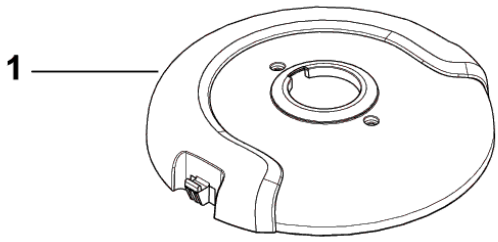
Container parts

GD 5, GD 10, GD 5 Battery

05-10-2012

Part List ID
B10637

7



Container parts

GD 5, GD 10, GD 5 Battery

05-10-2012

Part List ID
B10637

8

Pos	Part no.	Qty	Description
1	147 1077 500	1	OUTER LID 5L LIGHT GREY
1	147 1080 500	1	OUTER LID 10 L LIGHT GREY
3	147 1076 500	1	CONTAINER 5L LIGHT GREY
3	147 1079 500	1	CONTAINER 10L LIGHT GREY
4	147 1075 500	1	COVER OUTER DARK GREY
4	147 1075 510	1	COVER OUTER DARK GREY 2 gaskets included
5	147 1101 500	1	LATCH KIT
6	147 1078 500	1	ADAPTOR 10L LIGHT GREY
7	147 1082 500	1	GRID EXHAUST DARK GREY
8	147 1115 500	1	BASKET SACK FILTER

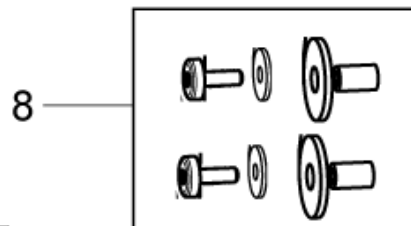
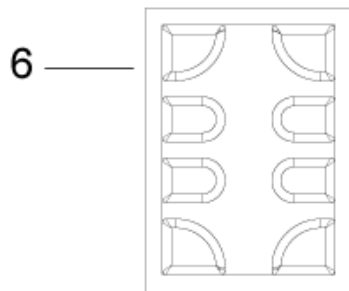
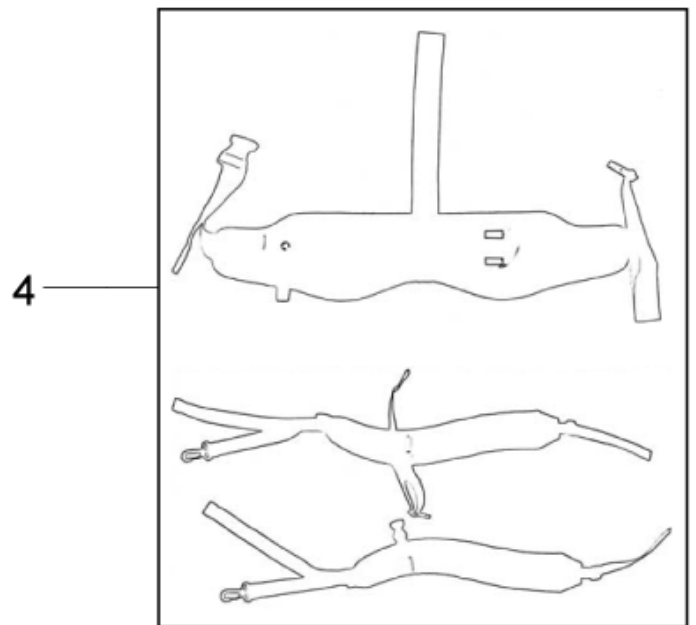
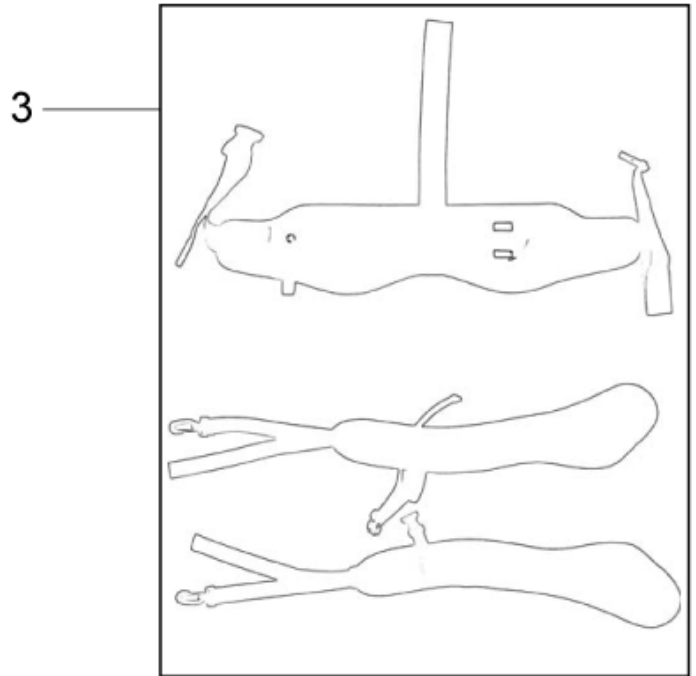
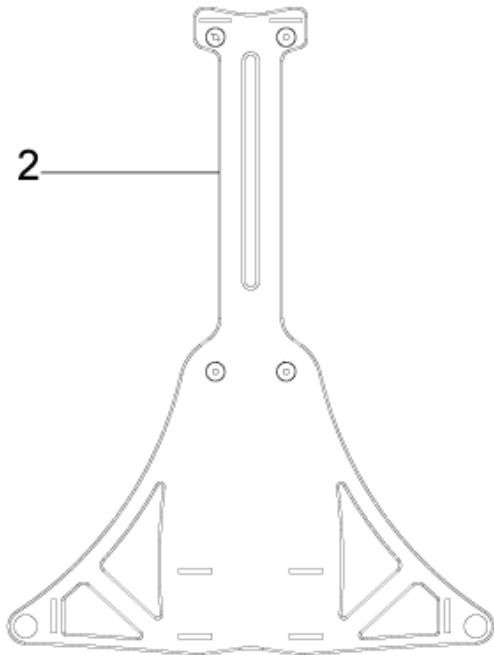
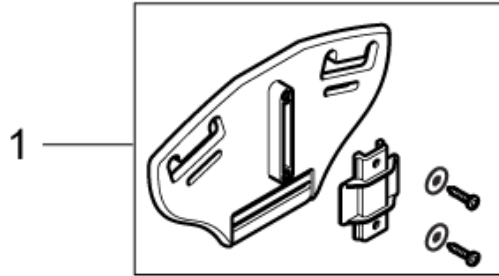
Straps parts

GD 5, GD 10, GD 5 Battery

05-10-2012

Part List ID B10639

9



Straps parts

GD 5, GD 10, GD 5 Battery

05-10-2012

Part List ID
B10639

10

Pos	Part no.	Qty	Description
1	147 1092 500	1	ADJUSTING PLATE
2	147 1091 500	1	HARNESS SUPPORT See note*
3	147 1246 500	1	HARNESS PREMIUM
3	147 1246 510	1	HARNESS PREMIUM CPL includes position 1,2, 5 & 6 also.
4	147 1090 500	1	HARNESS STD.
4	147 1090 510	1	HARNESS STD.CPL includes position 1,2, 5 & 6 also.
5	147 1247 500	1	LIFTING STRAP
6	147 1248 500	1	PADDING BACK PLATE
7	147 1249 500	1	EXTENTION BELT
8	147 1246 600	1	SCREW KIT

Note * Only to be used for machines produced after June 25th 2012. For older machines use 147 1246 510 or 147 1090 510

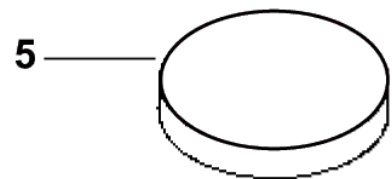
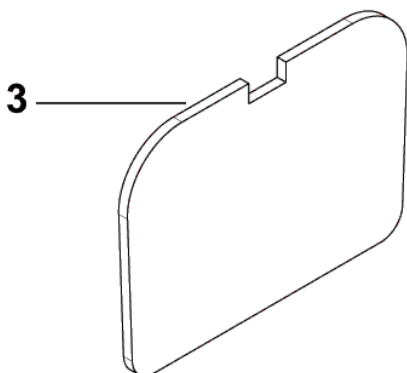
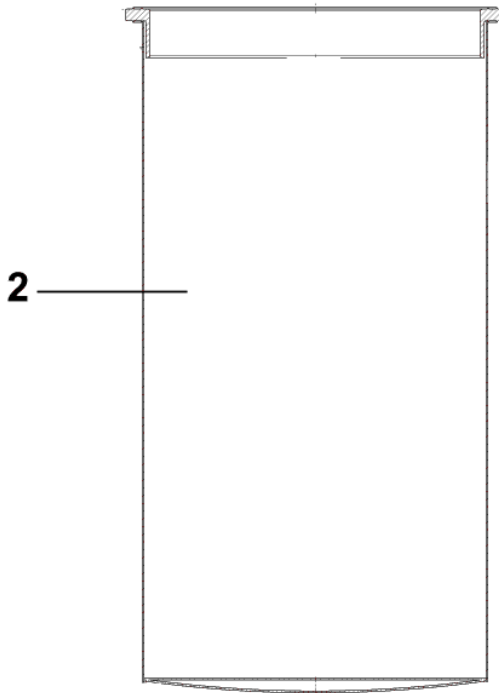
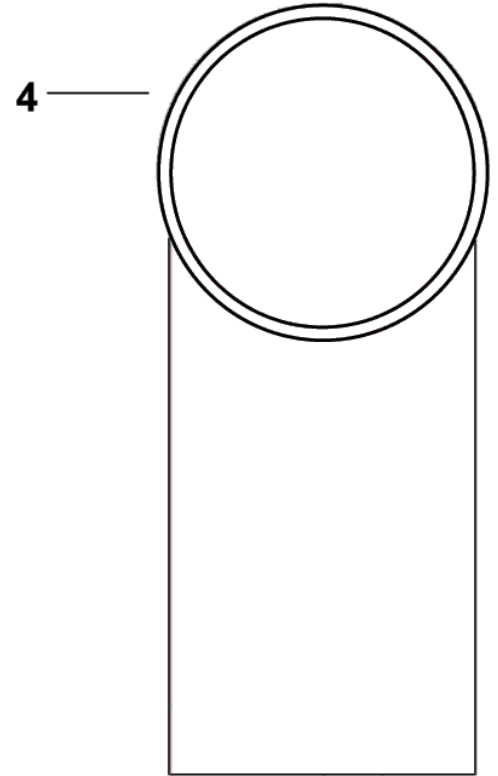
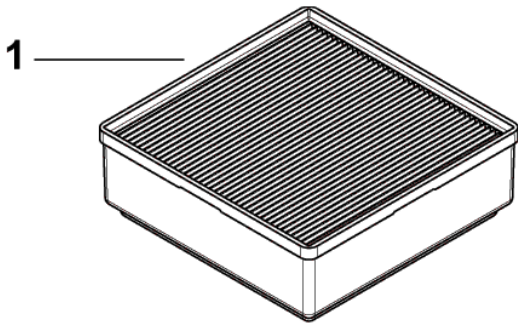
Filters

GD 5, GD 10, GD 5 Battery

05-10-2012

Part List ID
B106311

11



Filters

GD 5, GD 10, GD 5 Battery

05-10-2012

Part List ID
B106311

12

Pos	Part no.	Qty	Description	
1	147 1104 500	1	HEPA FILTER COMPLETE	
2	147 1099 500	1	SACK FILTER 10L	
2	147 1100 500	1	SACK FILTER 5L	
3	147 1089 500	1	EXHAUST FILTER	
4	147 1097 500	1	DUST BAG KIT 10L 5-P	1 Pre-filter included
4	147 1098 500	1	DUST BAG KIT 5L 5-P	1 Pre-filter included
4	147 1497 500	1	DUST BAG WITH VALVE 5PCS	Only for JP
5	147 1095 500	1	PREFILTER	Kit with 3 Pre-filters

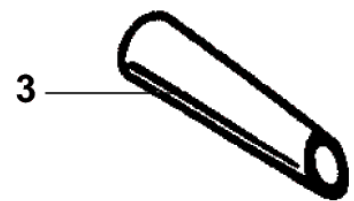
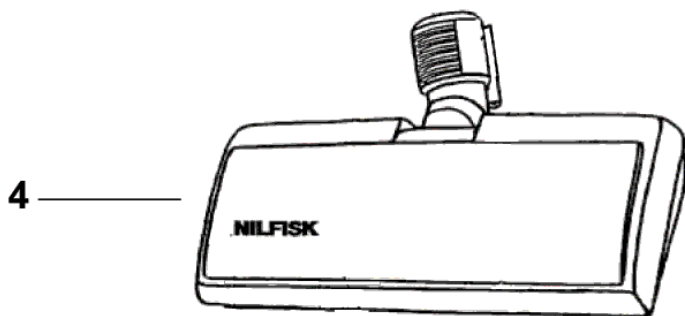
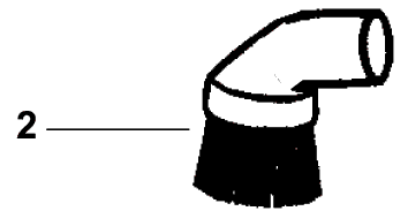
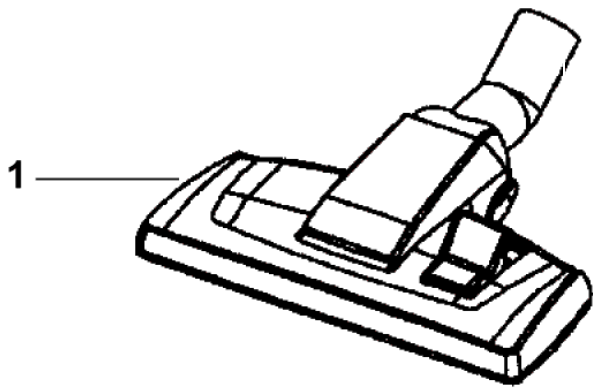
Nozzles 32 mm

GD 5, GD 10, GD 5 Battery

05-10-2012

Part List ID
B106313

13



Nozzles 32 mm

GD 5, GD 10, GD 5 Battery

05-10-2012

Part List ID
B106313

14

Pos	Part no.	Qty	Description	
1	140 8492 520	1	COMBI NOZZLE KIT	
2	140 8244 500	1	BRUSH NOZZLE KIT	
3	81140900	1	CREVICE NOZZLE KIT	
4	147 0822 000	1	WOUNDED CABLE	Only cable for Nozzle
4	22203000	1	NOZZLE ELECTRO	

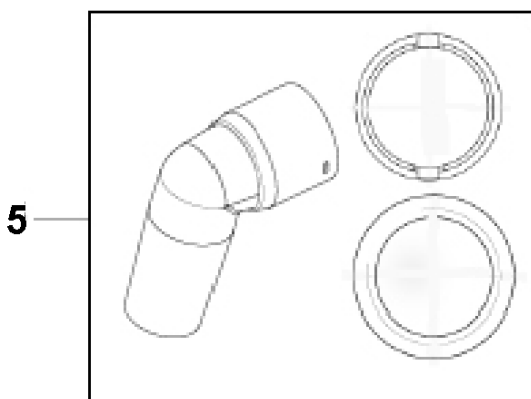
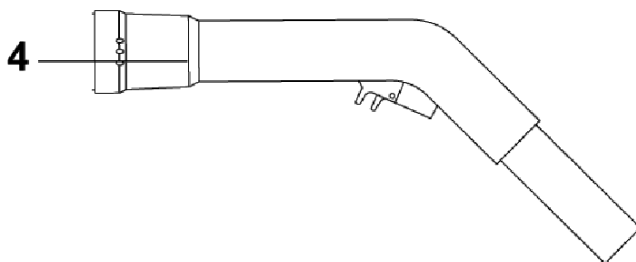
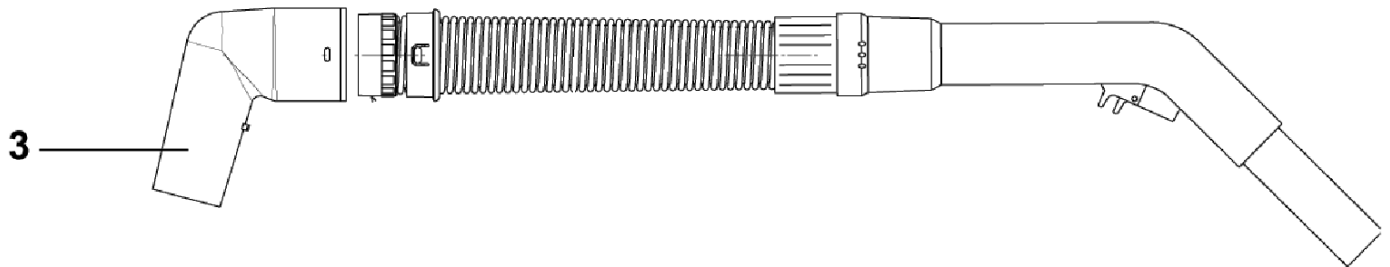
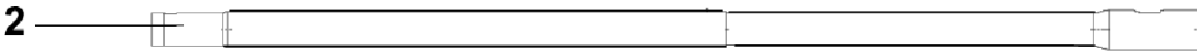
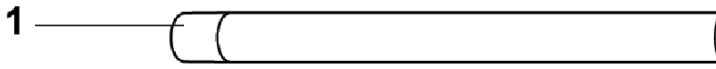
Tubes, hose 32 mm

GD 5, GD 10, GD 5 Battery

05-10-2012

Part List ID
B106315

15



Tubes, hose 32 mm

GD 5, GD 10, GD 5 Battery

05-10-2012

Part List ID
B106315

16

Pos	Part no.	Qty	Description
1	011 6431 500	1	EXTENSION TUBE ALUMINIUM
2	011 8130 500	1	TELESCOPIC TUBE ALUMINIUM
3	147 1236 500	1	HOSE CONICAL COMPLETE
4	140 7584 500	1	HOSE HANDLE CPL.
5	147 1085 500	1	HOSE COUPLING CPL.

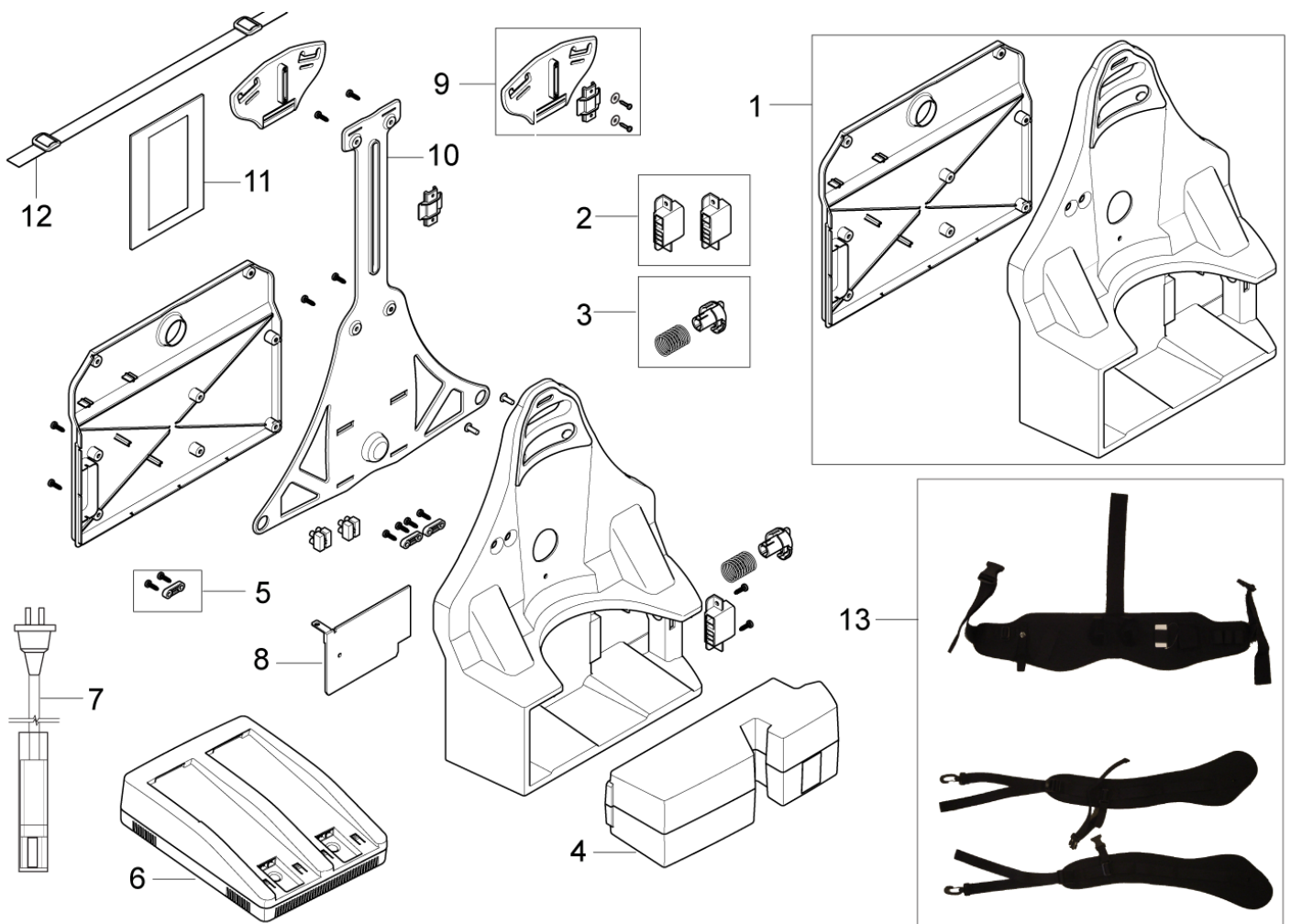
Overview GD 5 Battery

GD 5, GD 10, GD 5 Battery

05-10-2012

Part List ID
GD5B02

17



Overview GD 5 Battery

GD 5, GD 10, GD 5 Battery

05-10-2012

Part List ID
GD5BUZ

18

Pos	Part no.	Qty	Description	
1	147 1442 500	1	HOLDER BATTERY KIT	
2	147 1209 500	1	CONTACT HOUSING 5-PIN KIT	
3	147 1444 500	1	LOCK BATTERY KIT	
4	147 1197 000	1	BATTERY FOR GD 911	
5	140 6560 500	1	ANTI STRAIN CLIP	
6	147 1202 000	1	CHARGER FOR GD 911	
7	147 1208 500	1	CORD CHARGER EU KIT	
7	147 1208 510	1	CORD CHARGER UK KIT	
7	147 1208 520	1	CORD CHARGER AUS KIT	
7	147 1208 530	1	CORD CHARGER US KIT	
7	147 1208 540	1	CORD CHARGER JP KIT	
8	147 1199 500	1	CONTROL BOARD KIT	
9	147 1092 500	1	ADJUSTING PLATE	
10	147 1091 500	1	HARNESS SUPPORT	See Note *
11	147 1248 500	1	PADDING BACK PLATE	
12	147 1247 500	1	LIFTING STRAP	
13	147 1246 500	1	HARNESS PREMIUM	
13	147 1246 510	1	HARNESS PREMIUM CPL	includes position 9, 10, 11, 12 also.

Note * Only to be used for machines produced after June 25th 2012. For older machines use 147 1246 510 or 147 1090 510

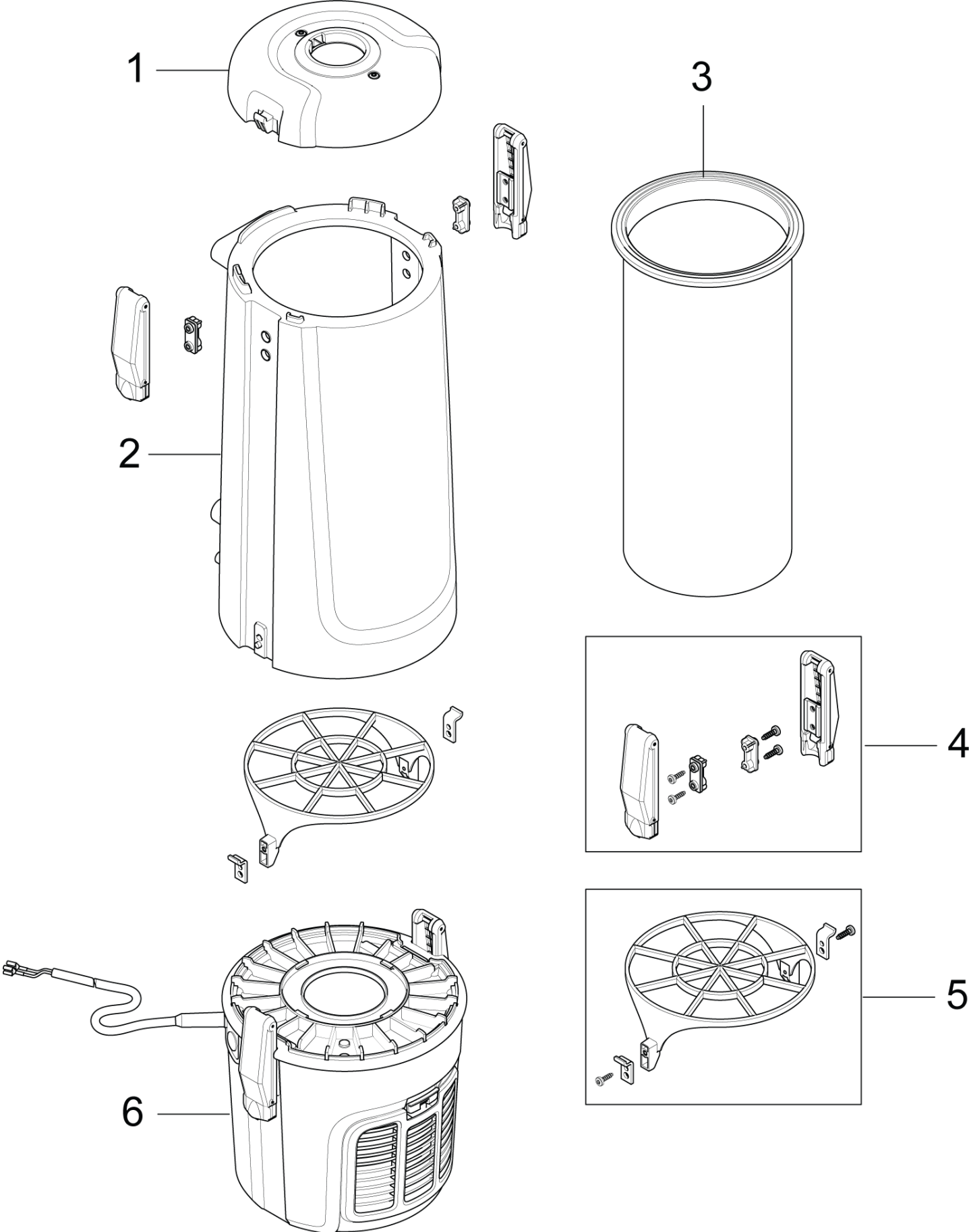
Container parts GD 5 Battery

GD 5, GD 10, GD 5 Battery

05-10-2012

Part List ID
GD5B04

19



Container parts GD 5 Battery

GD 5, GD 10, GD 5 Battery

05-10-2012

Part List ID

GD5B04

20

Pos	Part no.	Qty	Description
1	147 1077 500	1	OUTER LID 5L LIGHT GREY
1	147 1080 500	1	OUTER LID 10 L LIGHT GREY
2	147 1076 500	1	CONTAINER 5L LIGHT GREY
2	147 1079 500	1	CONTAINER 10L LIGHT GREY
3	147 1099 500	1	SACK FILTER 10L
3	147 1100 500	1	SACK FILTER 5L
4	147 1101 500	1	LATCH KIT
5	147 1115 500	1	BASKET SACK FILTER
6		1	USE LINK

Motor parts

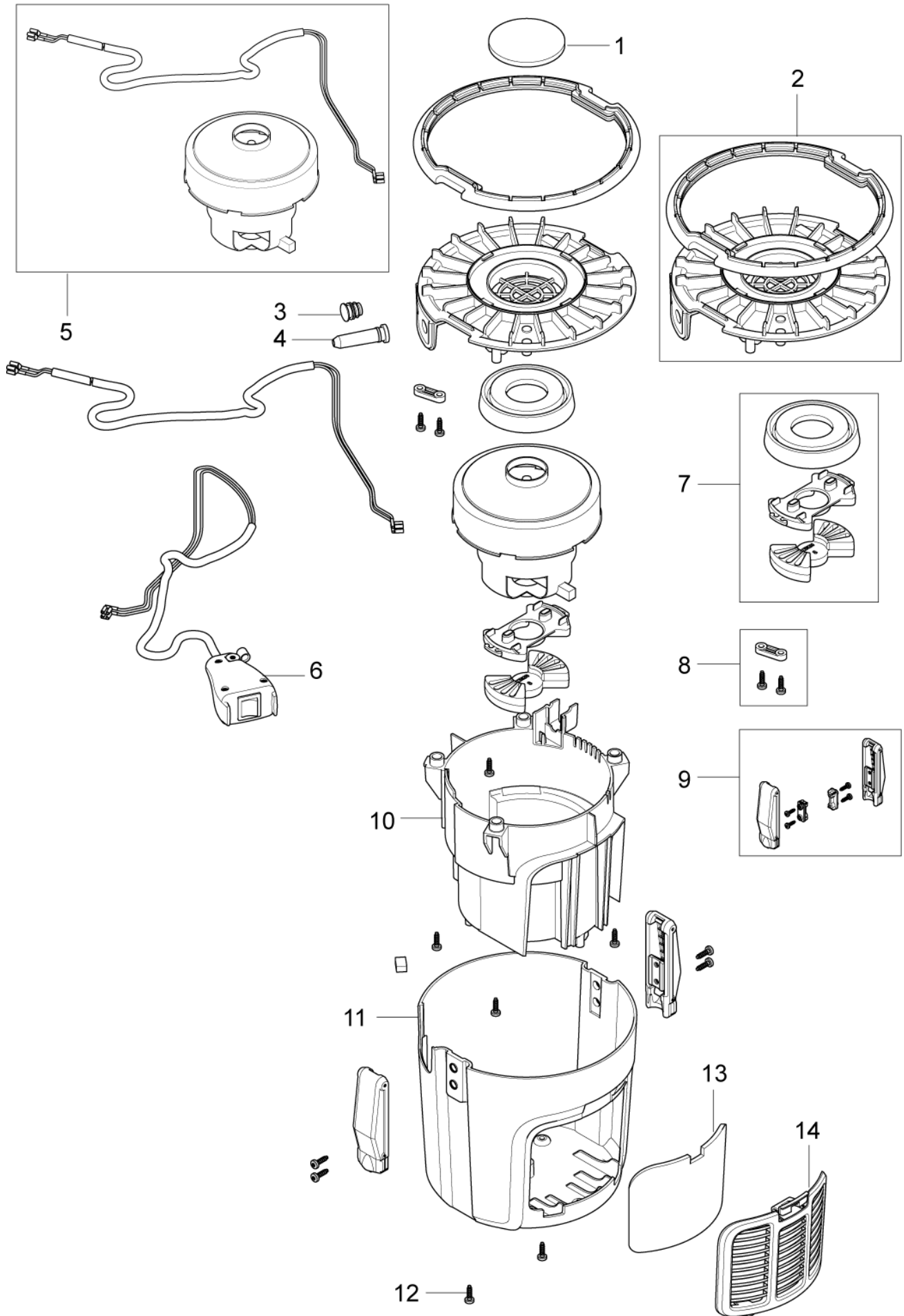
Motor parts GD 5 Battery

GD 5, GD 10, GD 5 Battery

05-10-2012

Part List ID
GD5B06

21



Motor parts GD 5 Battery

GD 5, GD 10, GD 5 Battery

05-10-2012

Part List ID
GD5B06

22

Pos	Part no.	Qty	Description
1	147 1095 500	1	PREFILTER Kit with 3 pcs.
2	147 1086 500	1	CHASSIS DARK GREY
3	147 1472 000	1	RUBBER PLUG
4	093 1027 010	1	CABLE PROTECTION USA
5	147 1196 510	1	FAN UNIT 24V GD5 BATTERY
6	147 1105 510	1	SWITCH CPL.GD5 BATTERY
7	147 0560 500	1	MOTOR SUSPENSION KIT
8	140 6560 500	1	ANTI STRAIN CLIP
9	147 1101 500	1	LATCH KIT
10	147 1088 500	1	MOTOR COVER
11	147 1075 500	1	COVER OUTER DARK GREY
12	140 9214 040	1	SCREW PTK TORX 40X14 MM FZB
13	147 1089 500	1	EXHAUST FILTER
14	147 1082 500	1	GRID EXHAUST DARK GREY

Nozzles 32mm GD 5 Battery

GD 5, GD 10, GD 5 Battery

05-10-2012

Part List ID
GD5B08

23



1



2



3

Nozzles 32mm GD 5 Battery

GD 5, GD 10, GD 5 Battery

05-10-2012

Part List ID
GD5B08

24

Pos	Part no.	Qty	Description
1	140 8492 520	1	COMBI NOZZLE KIT
2	140 8244 500	1	BRUSH NOZZLE KIT
3	147 0146 500	1	CREVICE NOZZLE D32 L153 BLACK
3	22302100	1	CREVICE NOZZLE BLACK
3	81140900	1	CREVICE NOZZLE KIT Grey

Tube and hose 32mm GD 5 Battery

GD 5, GD 10, GD 5 Battery

05-10-2012

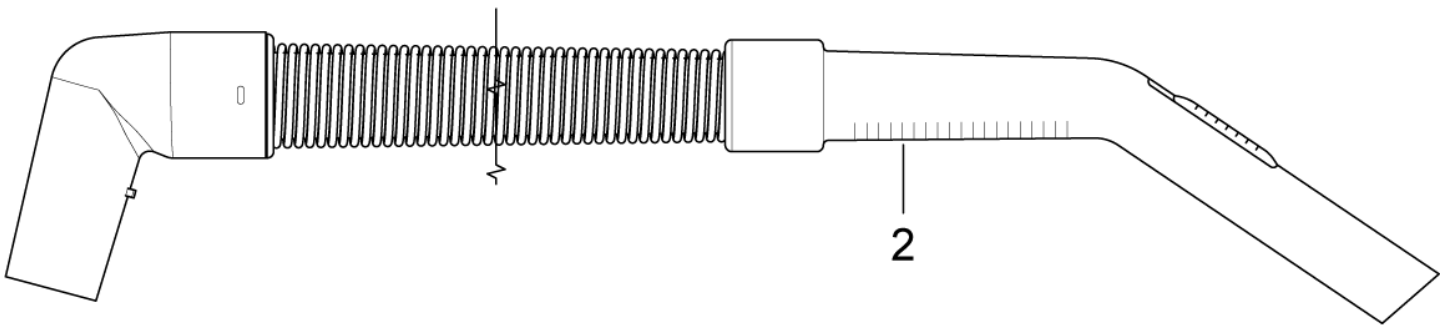
Part List ID

GD5B10

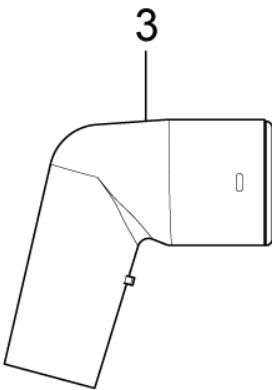
25



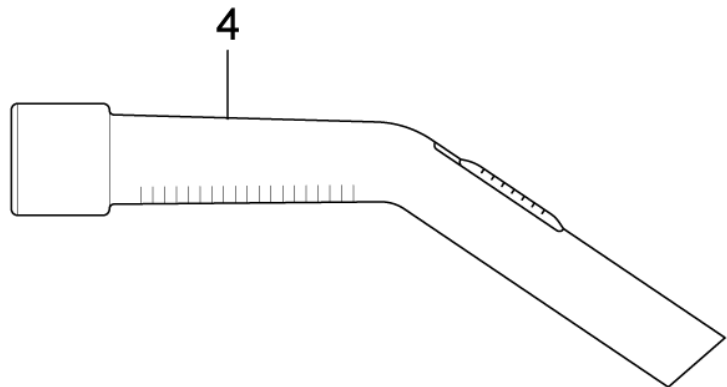
1



2



3



4

Tube and hose 32mm GD 5 Battery

GD 5, GD 10, GD 5 Battery

05-10-2012

Part List ID

GD5B10

26

Pos	Part no.	Qty	Description
1	140 8246 040	1	EXTENSION TUBE STEEL D32
2	147 1449 500	1	CONDUCTIVE HOSE CONICAL CPL.
3	147 1085 500	1	HOSE COUPLING CPL.
4	107402631	1	BENT END PLASTIC TUBE BLACK

RECOMMENDED SPARE PARTS

GD 5, GD 10, GD 5 Battery

05-10-2012

Part List ID

GD5B12

27

No Drawing For Part List

RECOMMENDED SPARE PARTS

GD 5, GD 10, GD 5 Battery

05-10-2012

Part List ID
GD5B12

28

Pos	Part no.	Qty	Description	
1	107402274	1	SWITCH COMPLETE	
1	107402275	1	CIRCUIT BOARD 220-240V	
1	107402276	1	CIRCUIT BOARD 100-120V	
1	107407330	1	FAN UNIT 110V 50HZ FOR GD5 FLY	Only for GD 5 Fly
1	107407331	1	CIRCUIT BOARD FOR GD5 FLY	Only for GD 5 Fly
1	12003803	1	CORD SET AU/NZ CPL. L 15M	
1	140 5496 510	1	SWITCH UL KIT	
1	140 6702 500	1	CORD SET JP 15.5M	
1	140 8497 530	1	CONNECTOR	
1	147 0504 510	1	CORD SET CN 15M	
1	147 0560 500	1	MOTOR SUSPENSION KIT	
1	147 1075 510	1	COVER OUTER DARK GREY	
1	147 1085 500	1	HOSE COUPLING CPL.	
1	147 1086 500	1	CHASSIS DARK GREY	
1	147 1089 500	1	EXHAUST FILTER	
1	147 1090 500	1	HARNESS STD.	
1	147 1090 510	1	HARNESS STD.CPL	+ 2
1	147 1091 500	1	HARNESS SUPPORT	See note *
1	147 1092 500	1	ADJUSTING PLATE	
1	147 1095 500	1	PREFILTER	KIT WITH 3 PRE-FILTERS
1	147 1099 500	1	SACK FILTER 10L	
1	147 1100 500	1	SACK FILTER 5L	
1	147 1101 500	1	LATCH KIT	
1	147 1104 500	1	HEPA FILTER COMPLETE	
1	147 1105 510	1	SWITCH CPL.GD5 BATTERY	
1	147 1109 500	1	FAN UNIT 100-120V 1300W	
1	147 1109 510	1	FAN UNIT 220-240V 1300W	
1	147 1111 500	1	MOTOR SUSPENSION KIT	
1	147 1115 500	1	BASKET SACK FILTER	
1	147 1196 510	1	FAN UNIT 24V GD5 BATTERY	
1	147 1197 000	1	BATTERY FOR GD 911	
1	147 1199 500	1	CONTROL BOARD KIT	
1	147 1202 000	1	CHARGER FOR GD 911	
1	147 1208 500	1	CORD CHARGER EU KIT	
1	147 1208 510	1	CORD CHARGER UK KIT	
1	147 1208 520	1	CORD CHARGER AUS KIT	
1	147 1208 530	1	CORD CHARGER US KIT	
1	147 1208 540	1	CORD CHARGER JP KIT	
1	147 1209 500	1	CONTACT HOUSING 5-PIN KIT	
1	147 1236 500	1	HOSE CONICAL COMPLETE	
1	147 1246 500	1	HARNESS PREMIUM	
1	147 1246 600	1	SCREW KIT	
1	147 1247 500	1	LIFTING STRAP	

Note * Only to be used for machines produced after June 25th 2012. For older machines use 147 1246 510 or 147 1090 510

RECOMMENDED SPARE PARTS

GD 5, GD 10, GD 5 Battery

05-10-2012

Part List ID

GD5B12

29

Pos	Part no.	Qty	Description
1	147 1444 500	1	LOCK BATTERY KIT
1	147 1449 500	1	CONDUCTIVE HOSE CONICAL CPL.
1	22156201	1	EXTENSION CORD EU KIT
1	22156202	1	CORD CPL. UK VERSION

Note * Only to be used for machines produced after June 25th 2012. For older machines use 147 1246 510 or 147 1090 510