

Attention:

1. Please read the owner's manual before using the product.
2. Use distilled or boiled water only. Do not fill in with any other liquid except water.
3. The iron must not be left unattended while it is connected to the supply mains.
4. The plug must be removed from the socket-outlet before the water reservoir is filled with water.
5. When placing the iron on its heel, ensure that the surface on which the iron is placed is stable.
6. The iron must be used and rested on a stable surface.
7. The iron is not to be used if it has been dropped, if there are visible signs of damage or if it is leaking. This appliance is not intended for use by persons (including children) with reduced physical, sensory or mental capabilities, or lack of experience and knowledge, unless they have been given supervision or instruction concerning use of the appliance by a person responsible for their safety.
8. Children should be supervised to ensure that they do not play with the appliance.

Cautions:

1. Make sure that the applied voltage is same as the rating voltage, and the socket has effective earth connection.
2. If the supply cord is damaged, it must be replaced by the manufacturer or a qualified person in order to avoid a hazard.
3. This iron is for household use only.
4. Do not immerse the iron into any liquid for cleaning.
5. Do not touch any hot metal parts, hot water, or steam to avoid scalding.

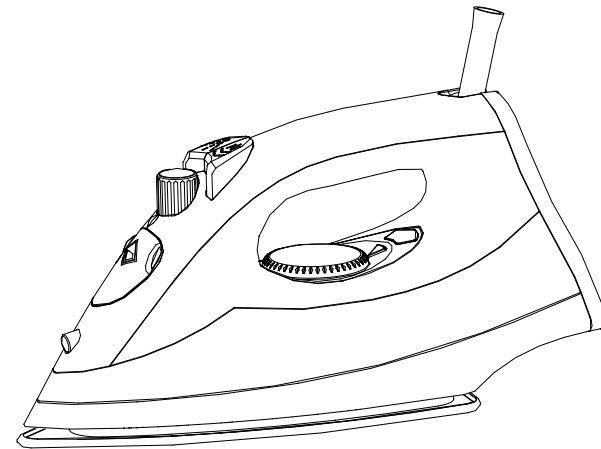
Main technical parameters:

Type	Rated voltage	Rated frequency	Rated power
742300	220-240V	50/60Hz	1600-2000W

Nero[®]

300 STEAM / DRY IRON

Product No: 742300



Please read these instructions before use and view the illustration components before using the appliance.

Backed by Nero's 12 month replacement guarantee

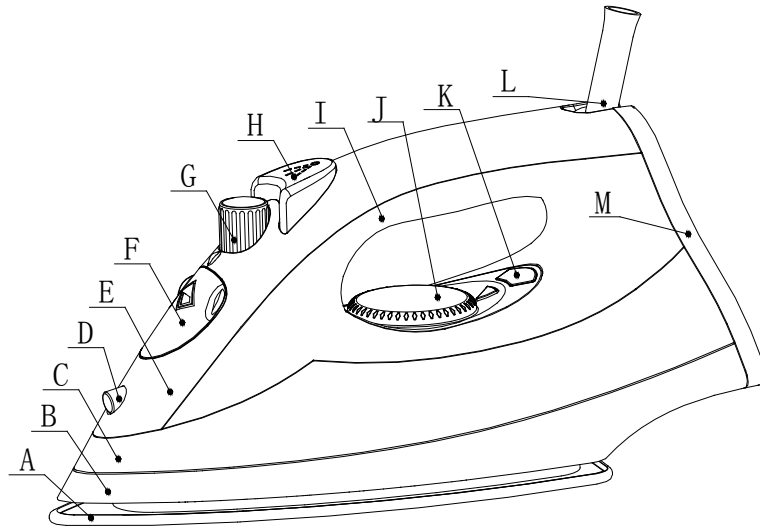
Imported by Weatherdon

www.weatherdon.com.au

Made in China

Components:

This product has many features such as a temperature regulating dial, spraying, dry ironing, variable steam, and steam burst. It also features an easy to grip shape, with high heat efficiency, resulting in quick ironing of clothes.



A: Non-stick soleplate

B: Skirting base

C: Water tank

D: Spraying nozzle

E: Top handle

F: Fill cover

G: Steam/spray/on-off toggle

H: Spray button

I: Bottom handle area

J: Temperature control dial

K: Pilot light

L: Power cord guard

M: Rear cover

Filling water:

1. Before filling the water tank remove the plug from the wall socket.
2. Set the steam control to the minimum position.
3. Flip down the cover of water filling lid, then fill with water.

Spraying:

Press the spraying button, steam will be sprayed out from the spraying nozzle. Ensure that you keep enough water in the water tank for smooth ongoing operation.

Steam ironing:

1. To use steam ironing, turn the steam on/off switch to the minimum position and set the temperature control on the dial to the max position.
2. After the heating indicator light goes out, turn the steam on/off switch to maximum position, steam can be sprayed and ironing can start.

Dry ironing:

Turn the steam on/off switch to the minimum position, set the temperature control to the suitable position, you can start dry ironing.

Storage:

After using, pull out the plug, pour out the remaining water, turn the temperature control to minimum, let the iron cool down and place the iron in a safe and dry place vertically.