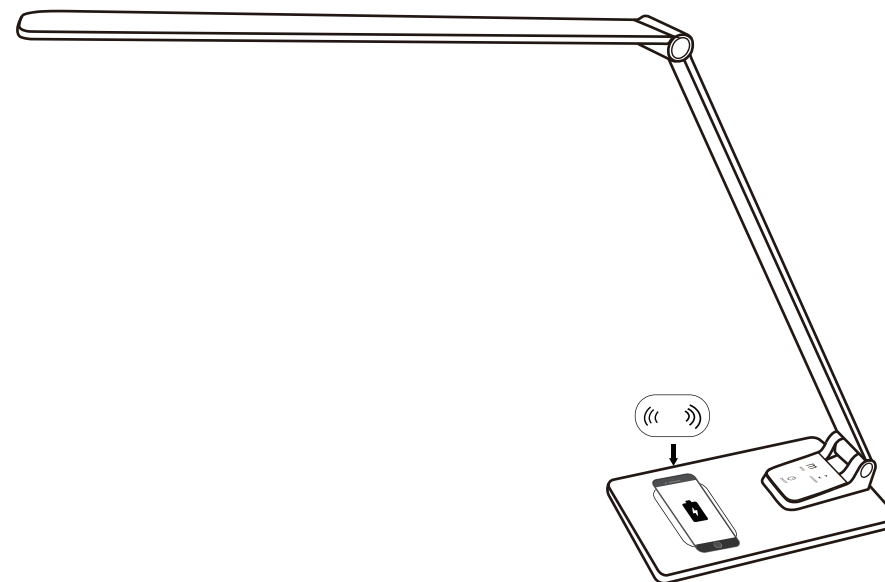


330015

# Nero<sup>®</sup> LED Desk Lamp



Nero is a Registered Trademark of R Weatherdon & Co Pty Ltd.

[www.weatherdon.com.au](http://www.weatherdon.com.au)

All phones with Qi wireless charging function are supported.

## Warnings & Cautions:

- Do not disassemble the product, to avoid electric shock.
- Use only original manufacturers parts and adapters.
- Do not over-extend the hinge. Over-extending will cause damage to the lamp.
- Do not use or place the lamp in high temperature or high humidity environments.
- Do not look at the LED light source directly. Doing so can cause damage to eyesight.
- In the event of malfunction, IMMEDIATELY disconnect the power cord and DISCONTINUE USE.
- Examples of possible malfunctions include:
  - The power cord or power plug breaks
  - The lamp stand becomes damp or wet
  - The lamp hinge breaks
  - The light bulb or surrounding area starts to smoke or spark
  - Abnormal flickering

## Specifications:

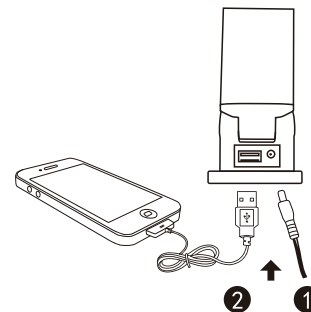
<b>Material:</b> ABS, Aluminium, Steel	<b>Qty of LED:</b> 66 pieces	<b>Luminous Flux (Lm):</b> Max 500	<b>Illumination (Lux):</b> H30cm = 1800	<b>CCT:</b> 3000K/3500K/4000K/ 4500K/5000K
<b>Power:</b> 12W	<b>CRI:</b> ≥80	<b>Voltage:</b> DC 12V 2A	<b>Switch:</b> Touch Control	<b>Colour:</b> Black




## Features:

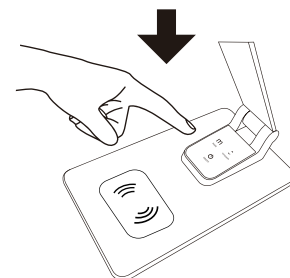
- USB Port to charge mobile devices  
USB output DC5V 1A
- 5 colour temperature modes: (3000K/3500K/4000K/4500K/5000K)
- 6 step dimming touch switch
- More than 30,000 hours lifespan

## User Guide:

1. Connect the power adapter in the rear of the lamp stand.  
(USB output DC 5V 1A)



2. Touch the  switch to turn on/off the light.  
Touch  to adjust the brightness.  
Touch  to change to a different colour temperature (3000K/4000K/5000K).



3. Lamp head can be adjusted to 225 degrees in a left/right direction and lamp arm can move 135 degrees in an up/down direction.  
When adjusting the lamp, please hold the base.

